

ETEK®

SOLAR PV SYSTEM

» *Always for your safety*



ZHEJIANG ETEK
ELECTRICAL TECHNOLOGY CO.,LTD.

Ver. 2024.1

Always for your safety



RoHS

COMPANY INTRODUCTION

Zhejiang ETEK Electrical Technology Co., Ltd. (Abbreviation: ETEK Electric) is a professional manufacturing company dedicated to the research, development, production, and sales of low-voltage electrical appliances. The company was established in 2011 and is located in Wenzhou City, Zhejiang Province. At present, the company has 40K sqm of modern manufacturing bases in Wenzhou and Wuhu with over 500 employees, including over 50 R&D and technical personnel. ETEK Electric has multiple production workshops for mold design, parts manufacturing, welding, and assembly. Additionally, they have multiple automated production lines for MCB and RCCB. Our products include MCB, RCCB, RCBO, AFDD, MCCB, ACB, EV Chargers, Photovoltaic DC products, etc., which can meet the needs of different countries and are widely used in fields such as residential, commercial, and industrial.

ETEK Electric has passed ISO9001 quality management system and environmental management system certification. The company have built our own low-voltage electrical testing center, and most of the testing items can meet the requirements of international IEC standards, in addition, our products have obtained international CB, TUV, VDE, CE, RoHS and other quality certificates.

ETEK Electric constantly masters and breaks through the core technology of circuit breakers, with more than 100 national patents. Focusing on independent brand construction is crucial for the company's development. The "ETEK" trademark is registered in over 80 countries. Products are exported to over 60 countries and regions including the European Union, South America, the Middle East, Africa, and Southeast Asia.

We also support OEM, ODM, OBM, SKD, CKD and other business cooperation models, and provide customers with a full range of services covering market cultivation, technical training, and factory construction.

ETEK Electric has been adhering to the business policy of "Growth", "Quality", "Efficiency", and "Innovation". In 2023, ETEK Electric has formulated the fifth 3-year strategic plan, which specifies the three major initiatives of expanding the production scale, enhancing the new energy market share, and expanding the independent brand, to realize the annual revenue target of \$50 million by 2026.

Looking forward to the future, ETEK Electric will be committed to becoming a globally renowned manufacturer in the power distribution and electrical industry, safeguarding the power safety of global customers, and helping the development of green and digital energy.



Wenzhou Factory

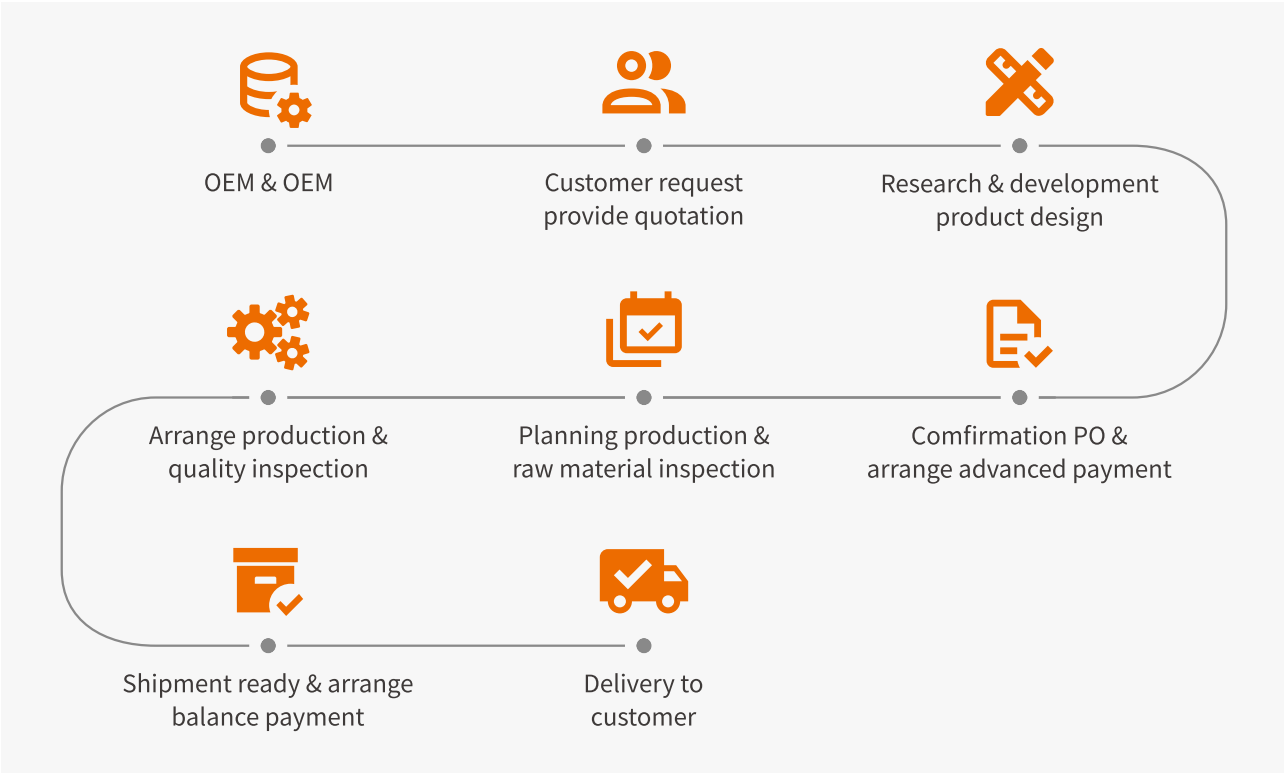


Wuhu Factory

WORKSHOPS



OEM & ODM BUSINESS



CONTENTS

EKM1-63DC 6KA DC MCB	01
EKM1-125DC 10KA DC MCB	02
EKM7 1140V High Voltage MCCB	03
EKM7DC 1500V Non-Polarity DC MCCB	08
EKU5-T2-40PV SPD Type T2	13
EKU5-T1+T2-40PV SPD Type T1+T2	15
Fuse for PV System	17
EKD6-DB32 DC Isolator Switch	20
EKD6-EL32R Enclosed DC Isolator Switch	22
EKHD DC Load Switch-Disconnectors	25
AC-PG Waterproof Cable Gland	31
AC-M Waterproof Cable Gland	32
Solar DC Connector Series	33
Branch Cable Series	46
Photovoltaic Connector Kit	49
2.5m ² , 4m ² , 6m ² PV MDC Cable	50
HA Series Waterproof Distribution Box	51
EKDB10 Waterproof Distribution Box	52
EKDBS-PV Solar DC Combiner Box	53
EKDBT-PV(Z) Solar DC Combiner Box	66

DC MCB EKM1-63DC



Mini Circuit Breaker

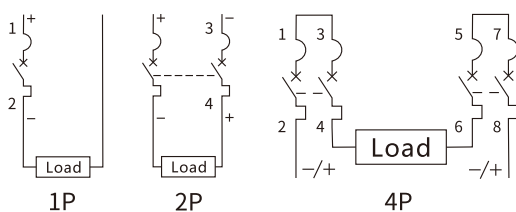
Standard_IEC60947-2



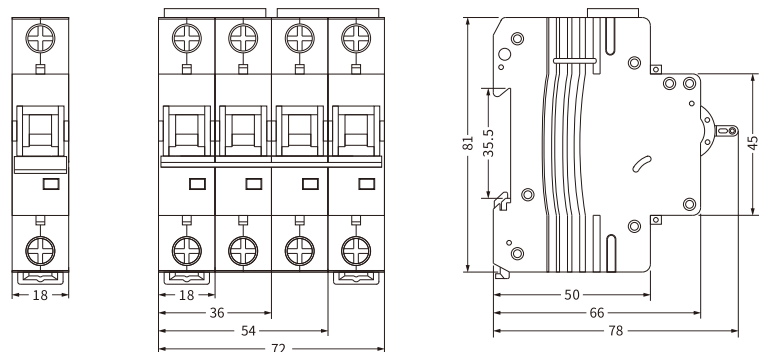
Technical Data

Standard	IEC/EN60947-2
Protection	Overcurrent and short circuit
Type of trip	Thermo-magnetic
No.of poles	1P,2P,4P
Rated currents (In)	6,10,16,20,25,32,40,50,63A
Rated voltage (Ue)	1P(250VDC),2P(500VDC),4P(1000VDC)
Rated insulation voltage (Ui)	500V
Rated breaking capacity	6,000A
Rated impulse withstand voltage (1.2/50) Uimp	4,000V
Dielectric test voltage at Ind. Freq.for 1 min	3kV
Thermal release characteristic	(1.05-1.30) x In
Magnetic release characteristic	(8-12) x In
Electrical life	4,000 Cycles
Mechanical life	10,000 Cycles
Contact position indicator	Yes
Protection degree	IP20
Ambient temperature	-5°C to +40°C, Max.95% humidity
Terminal connection type	Cable/Pin-type busbar/Fork-type busbar
Max.terminal size for cable	25mm ²
Max.tightening torque	2.5N.m
Installation	Mounting on 35mm DIN rail
Connection	According to the wiring diagram

Circuit Diagram



Overall and Installation Dimension(mm)



DC MCB EKM1-125DC



Mini Circuit Breaker

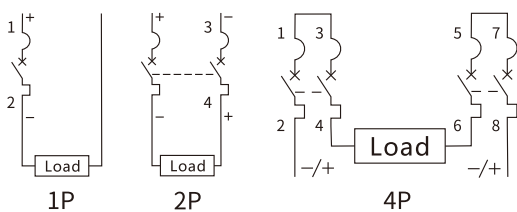
Standard_IEC60947-2



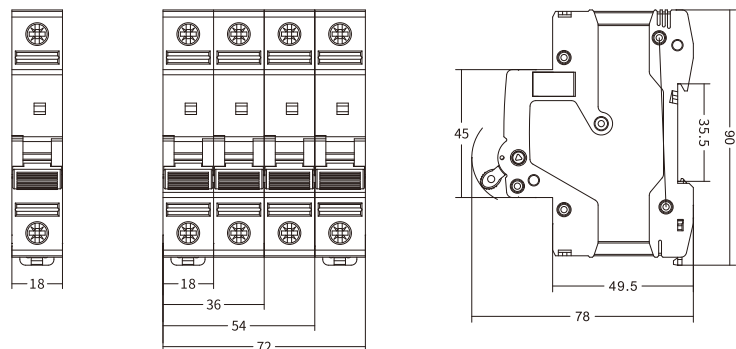
Technical Data

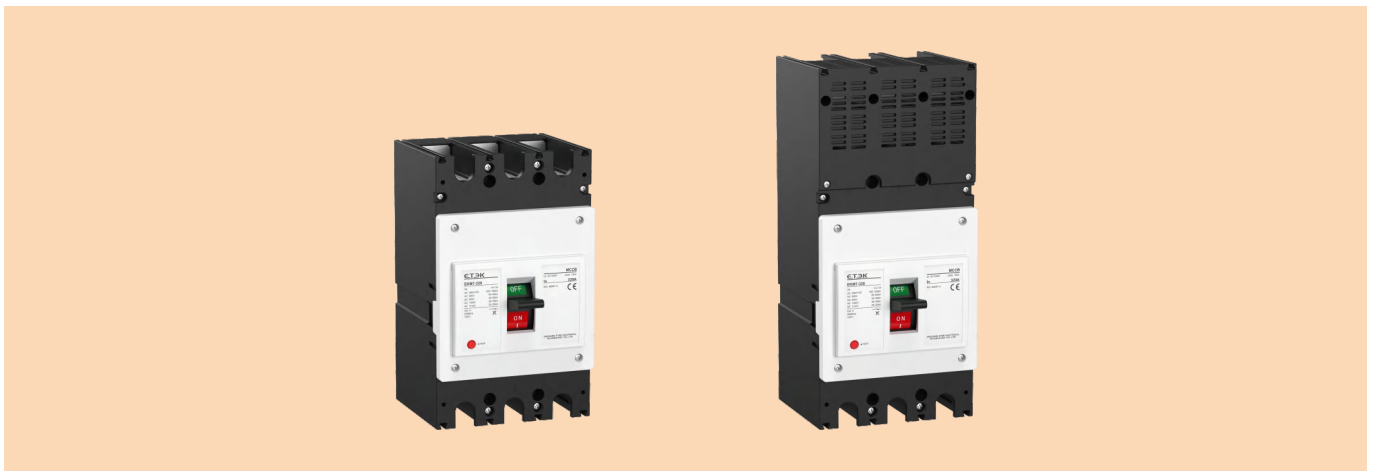
Standard	IEC/EN60947-2
Protection	Overcurrent and short circuit
Type of trip	Thermo-magnetic
No.of poles	1P,2P,4P
Rated currents (In)	80,100,125A
Rated voltage (Ue)	1P(250VDC),2P(500VDC),4P(1000VDC)
Rated insulation voltage (Ui)	500V
Rated breaking capacity	10,000A
Rated impulse withstand voltage (1.2/50) Uimp	4,000V
Dielectric test voltage at Ind. Freq.for 1 min	3kV
Thermal release characteristic	(1.05-1.30) x In
Magnetic release characteristic	(8-12) x In
Electrical life	4,000 Cycles
Mechanical life	10,000 Cycles
Contact position indicator	Yes
Protection degree	IP20
Ambient temperature	-5°C to +40°C, Max.95% humidity
Terminal connection type	Cable/Pin-type busbar/Fork-type busbar
Max.terminal size for cable	35mm ²
Max.tightening torque	2.5N.m
Installation	Mounting on 35mm DIN rail
Connection	According to the wiring diagram

Circuit Diagram



Overall and Installation Dimension(mm)





Overview

The EKM7 series high voltage molded case circuit breaker is designed to meet the needs of power distribution networks operating at AC 50/60Hz. With a rated insulation voltage of 1200V, it offers reliable protection for circuits with rated voltages ranging from 690V to 1140V, and a rated current of up to 630A.

This circuit breaker is ideal for infrequent switching of circuits and occasional motor starting. It effectively safeguards against overloads, short circuits, overvoltage, and undervoltage, ensuring the safety and stability of power lines.

In addition, the EKM7 series high voltage molded case circuit breaker complies with the IEC60947-2 standard, guaranteeing its quality and performance.

Product Features

- High mechanical life and electrical life.
- Short arcing distance: standard arc suppression cover and three-layer free metal partition to avoid secondary system failures caused by arcing during disconnection.
- Super current limiting capability.
- Super insulation performance.
- Reverse inlet line without capacity reduction.
- Anti-humidity, heat, salt spray, and mold resistance.
- New single breakpoint structure, more stable and reliable than double breakpoint structure.

Core Patented Technology

- Repulsion opening anti-drop technology with low repulsion opening reversal point of the moving contact.
- Arc Ionization elimination technology to realize shorter flashover.
- Arrangement of the handle away from the arc extinguishing area to make the operator safer.

Model Fast Selection Guide

EKM7 - 630 H / 3 00 D

EKM7	630	H	3	00	D
↓	↓	↓	↓	↓	↓
Product code	Frame size	Breaking capacity level	Poles	Product Accessories	Color code
EKM7 Series MCCB	320, 630	M: ordinary type H: high breaking type	3P	See accessory table	None: off-white cover, black handle D: dark gray cover, red handle

Technical Parameters

Model	EKM7-320						EKM7-630				
Rated current (A)	16,20,25,32,40,50,63,75,80,100,125,140,160,180,200,225,250,320						225,250,320,350,400,500,630				
Pole	3P										
Rated working voltage Ue (V)	380/415, 690, 800, 1000, 1140										
Rated insulation voltage Ui (V)	1200										
Rated impulse withstand voltage Uimp (kV)	12										
Power frequency withstand voltage (1min)(V)	3500										
Rated ultimate short-circuit breaking capacity Icu(kA)	Breaking capacity level	AC380/415V	AC690V	AC800V	AC1000V	AC1140V	AC380/415V	AC690V	AC800V	AC1000V	AC1140V
	M	/	60	50	20	12	/	60	50	20	12
Rated operating short-circuit breaking capacity Ics(kA)	H	100	65	50	30	20	100	65	50	32	20
	M	/	60	50	20	12	/	60	50	20	12
Rated operating short-circuit breaking capacity Ics(kA)	H	100	65	50	30	20	100	65	50	32	20
	Mechanical life (cycles)	15000									
Electrical life (cycles)	5000	3000	3000	1000	1000	5000	3000	3000	1000	1000	
Arc distance(mm)	50										
Dimension W×L×H(mm)	120×200×103						158×325×177				
Instantaneous release	5In or 10In										
Reference ambient temperature	40°C										
Working ambient temperature	-40°C ~ +70°C, no derating at +50°C										
Altitudes	5000m										

Applicable Working Environment and Compensation Coefficient

Ambient temperature	10°C	20°C	25°C	30°C	40°C	50°C	60°C	70°C
Compensation coefficient	1.17	1.14	1.12	1.06	1	0.96	0.87	0.76

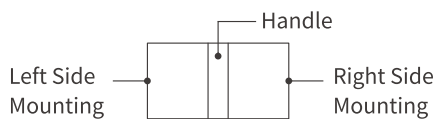
Derating Coefficient of Technical Parameters Based On Altitude

When the altitude is below 2000m, the characteristics of the circuit breaker will not be affected. If the altitude exceeds this value, the decrease in air insulation characteristics and cooling capacity must be considered. The following table provides the applicable correction values for altitudes exceeding 2000m.

Altitude (m)	2000	2500	3000	3500	4000	4500	5000
Rated current	1In	0.99In	0.98In	0.97In	0.96In	0.95In	0.94In
Rated voltage	1Ue	0.95Ue	0.88Ue	0.85Ue	0.82Ue	0.8Ue	0.75Ue
Rated power frequency withstand voltage	1U	0.95U	0.88U	0.85U	0.82U	0.8U	0.75U

Accessory Table

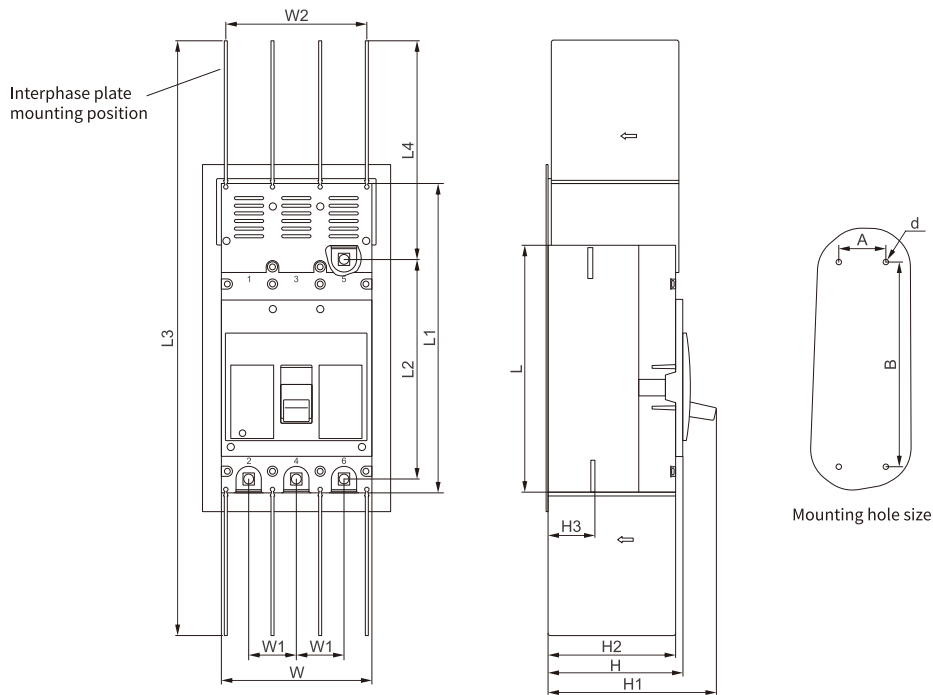
Accessory code	Accessory name	EKM7-320	EKM7-630
		3P	3P
00	No	-	-
08	Alarm contact		
10	Shunt release		
18	Shunt release + Alarm contact		
20	Single auxiliary contact		
27	Dual auxiliary contacts		
28	Single auxiliary contact + Alarm contact		
29	Dual auxiliary contacts + Alarm contact		
30	Under voltage release		
38	Under voltage release + Alarm contact		
40	Shunt release + Single auxiliary contact		
41	Shunt release + Dual auxiliary contacts		
48	Shunt release + Auxiliary alarm		
50	Shunt release + Under voltage release		
60	Two sets of single auxiliary contacts		
61	Single auxiliary contact + Dual auxiliary contacts		
62	Two sets of dual auxiliary contacts		
68	Single auxiliary contact + Auxiliary alarm		
69	Dual auxiliary contact + Auxiliary alarm		
70	Under voltage release + Single auxiliary contact		
71	Under voltage release + Dual auxiliary contact		
78	Under voltage release + Auxiliary alarm		



- Alarm contact
- Single auxiliary contact
- Dual auxiliary contacts

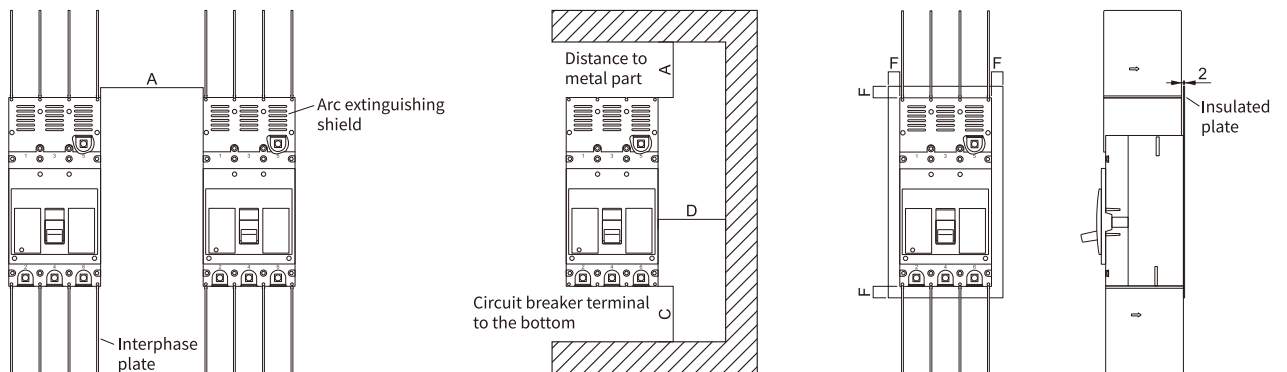
- Under voltage release (mechanical)
- Shunt trip (mechanical)

Overall Dimensions and Mounting Dimensions



Circuit breaker model	Dimensions (mm)														
	W	W1	W2	L	L1	L2	L3	L4	H	H1	H2	H3	A	B	d
EKM7-320	120	38	110	200	264	178	657	272	108	137	100	31.5	38	161	Ø5.5
EKM7-630	158	50	148	260	325	231	625	229	142	177	134	50	50	215	Ø6.5

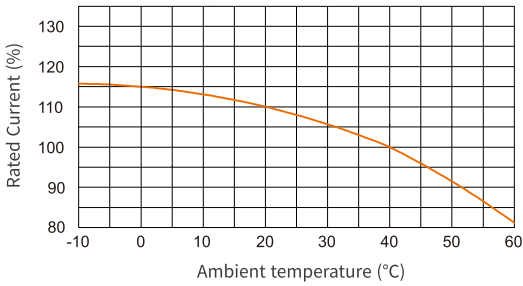
Mounting Diagram



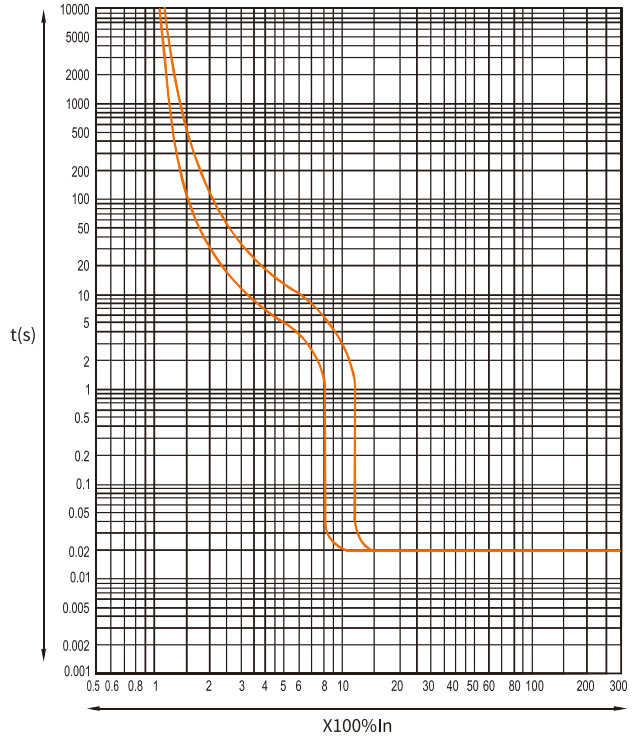
Circuit breaker model	Dimensions (mm)				
	A	B	C	D	F
EKM7-320	50	50	50	50	25
EKM7-630	50	50	50	50	20

Tripping Curve

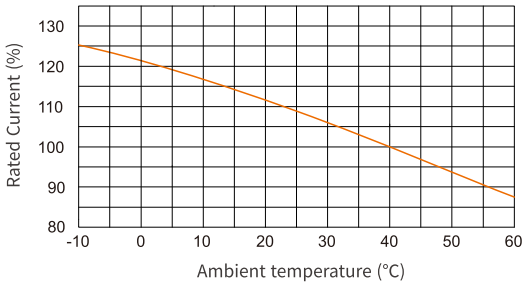
EKM7-320 Current-Temperature Characteristic



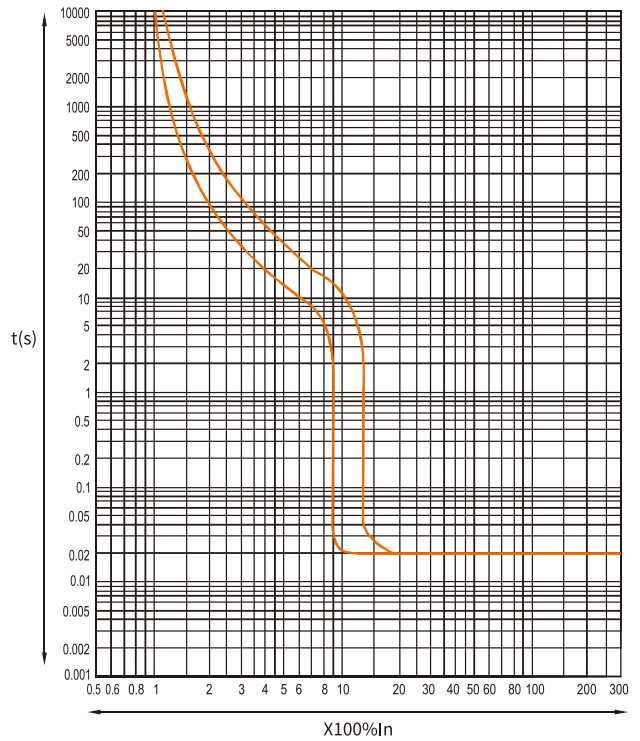
EKM7-320 Time/current Characteristic Curve



EKM7-630 Current-Temperature Characteristic



EKM7-630 Time/current Characteristic Curve



EKM7DC MCCB 1500V



Non-Polarity DC MCCB

Standard_IEC60947-2



Application

EKM7DC series DC molded case circuit breaker (referred to as circuit breaker), has a rated operating voltage to DC1500V, rated insulation voltage 1500V, rated impulse withstand voltage up to 12kV, and rated current 100A~1600A.

The circuit breaker can be vertically or horizontally installed.

It complies with the following standards:
IEC 60947-1 and IEC 60947-2.

Working conditions

- The altitude is 2000m and below, high altitude capacity reduction coefficient is shown in the capacity reduction coefficient table; The temperature of the surrounding medium shall not be higher than +70°C (+45°C for Marine products) and not lower than -25°C (below -25°C, LC low-temperature products need to be customized), and the average value within 24h shall not exceed +35°C. When it is higher than +50°C, the user needs to use the capacity reduction coefficient, as shown in Table.
- Storage temperature -40°C ~+75°C.
- The relative humidity of the air at the installation site does not exceed 50% at the maximum temperature of +40°C, and can have a higher relative humidity at lower temperatures, such as 90% at 20°C. Special measures should be taken for occasional condensation due to temperature changes.
- The maximum inclination is $\pm 22.5^\circ$.
Be used in a medium without explosion risk, and the medium is not sufficient to corrode metal and destroy insulation gas and conductive dust.
- Be used where with no rain and snow hit.

Selection Guide

EKM7DC - 630 H / 2 300 Z 250A

EKM7DC	630	H	2	300	Z	630A
↓	↓	↓	↓	↓	↓	↓
Model	Frame size	Code of control circuit source voltage	Pole number	Trip mode and internal accessories	Special Application	Rated current
Molded case circuit breaker for solar products	320,400, 630,1600	Breaking capacity	2P,3P,4P	2: Electronic only (instantaneous release) 3: Thermo-Magnetic (compound)	Terminal cover	See the parameter table for details

Notes: EKM7DC-320 and above frame size are with terminal cover

Technical Parameters

Molded case circuit breaker	EKM7DC-320	EKM7DC-400	EKM7DC-630	EKM7DC-1600	
Frame size current I_n	100,125,140,160,180,200,225,250,280,315A	250,315,350,400A	400,500,630A	800,1000,1250,1500,1600A	
Pole number	2P	2P	2P	3P,4P	
Rated working voltage U_e (V), AC	DC750V, DC1000V, DC1200V, DC1500V				
Rated insulation voltage U_i (V)	1600V				
Rated impulse withstand voltage U_{imp} (kV)	12kV				
Rated operating short-circuit capacity $I_{cs}=I_{cu}$ (kA)	DC750V	85	85	85	50
	DC1000V	50	50	50	30
	DC1200V	35	35	35	15
	DC1500V	20	20	20	10
Machine life (times)	4000	4000	4000	2500	
Electrical life (times)	1000	1000	1000	500	
Arcing distance (mm)	50 (plus arc suppression cover)				
Instantaneous tripper	5 I_n or 10 I_n				

Capacity Reduction Coefficient

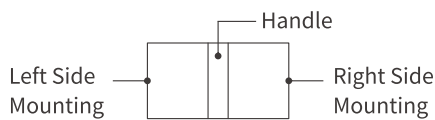
EKM7DC Molded case circuit breaker temperature change reduction coefficient table						
Model	Frame size rated current(A)	50°C	55°C	60°C	65°C	70°C
EKM7DC-320/2300	250	1	0.95	0.93	0.91	0.88
EKM7DC-400/2300	400	1	0.93	0.91	0.89	0.85
EKM7DC-630/2300	630	1	0.92	0.90	0.89	0.83
EKM7DC-1600/2300	1600	1	0.936	0.915	0.894	0.873

High Altitude Capacity Reduction

EKM7DC Molded case circuit breaker high altitude capacity reduction coefficient table							
Altitude (m)	2000	2500	3000	3500	4000	4500	5000
Working current correction coefficient	1	1	0.98	0.97	0.96	0.95	0.94
Short-circuit breaking capacity correction coefficient	1	1	0.83	0.77	0.71	0.67	0.63
Power frequency withstand voltage correction coefficient	1	1	0.89	0.85	0.80	0.77	0.73

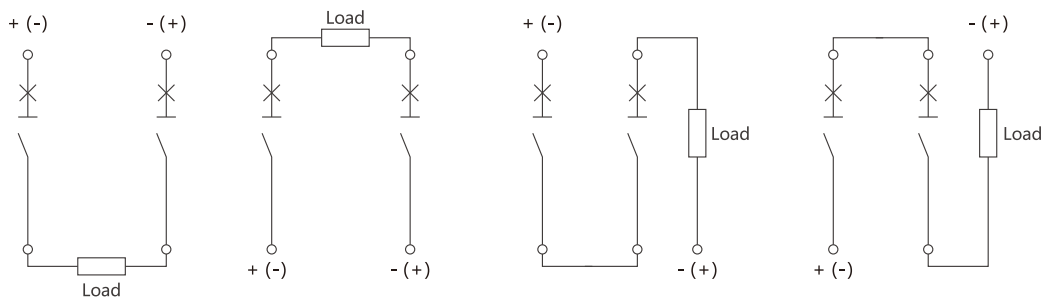
Accessory Table

Accessory code	Accessory name	EKM7DC-320	EKM7DC-400/630	EKM7DC-1600	
		2P	2P	3P	4P
00	No	-	-	-	-
08	Alarm contact				
10	Shunt release				
18	Shunt release + Alarm contact	-			
20	Single auxiliary contact				
27	Dual auxiliary contacts				
28	Single auxiliary contact + Alarm contact				
29	Dual auxiliary contacts + Alarm contact	-			
30	Under voltage release				
38	Under voltage release + Alarm contact	-			
40	Shunt release + Single auxiliary contact	-			
48	Shunt release + Auxiliary alarm	-			
62	Two sets of dual auxiliary contacts	-			
68	Single auxiliary contact + Auxiliary alarm				
69	Dual auxiliary contact + Auxiliary alarm	-			
70	Under voltage release + Single auxiliary contact	-			



- Alarm contact
- Single auxiliary contact
- Dual auxiliary contacts
- Under voltage release (mechanical)
- Shunt trip (mechanical)

DC Circuit Breaker Connection Mode



Note: (1) + positive power supply, - negative power supply.
The product has non-polar wiring characteristics, it can meet different wiring needs.

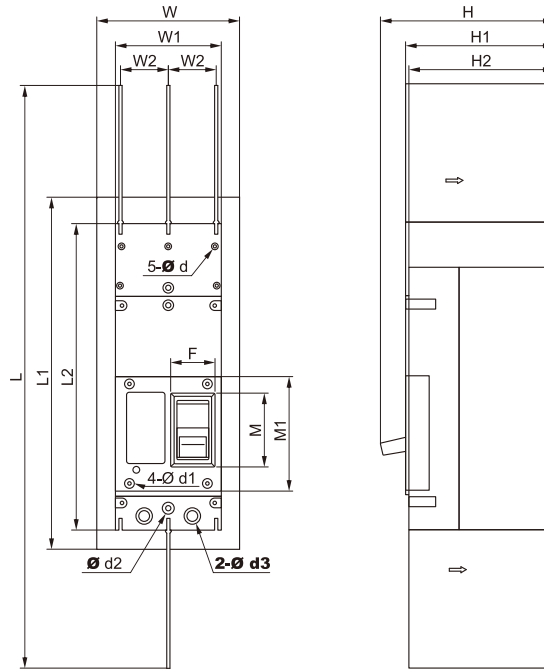
EKM7DC MCCB 1500V



Non-Polarity DC MCCB

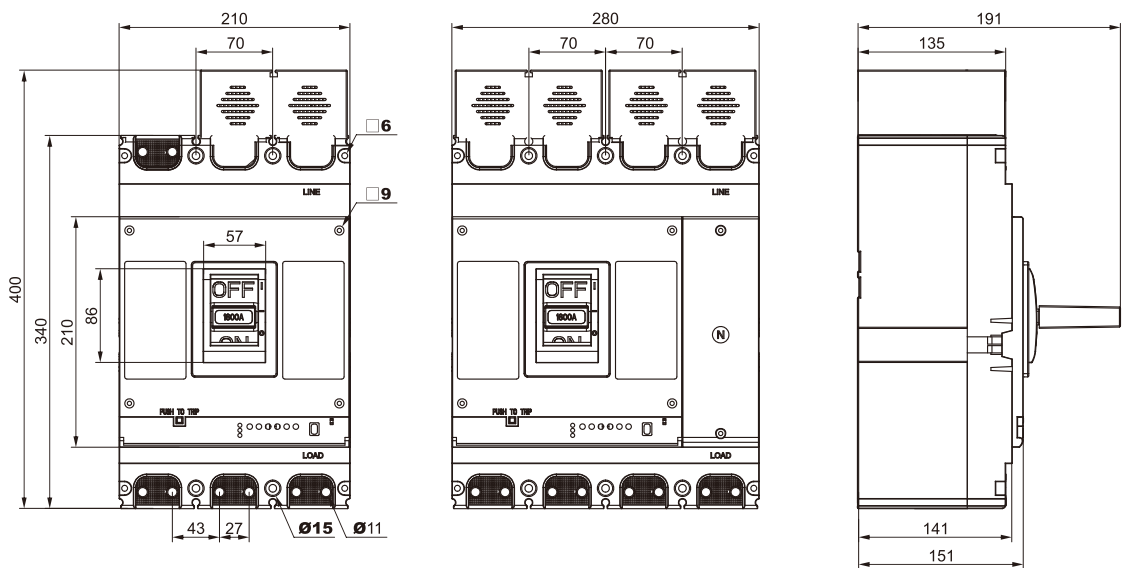
Standard_IEC60947-2

Overall Dimensions and Mounting Dimensions (mm)

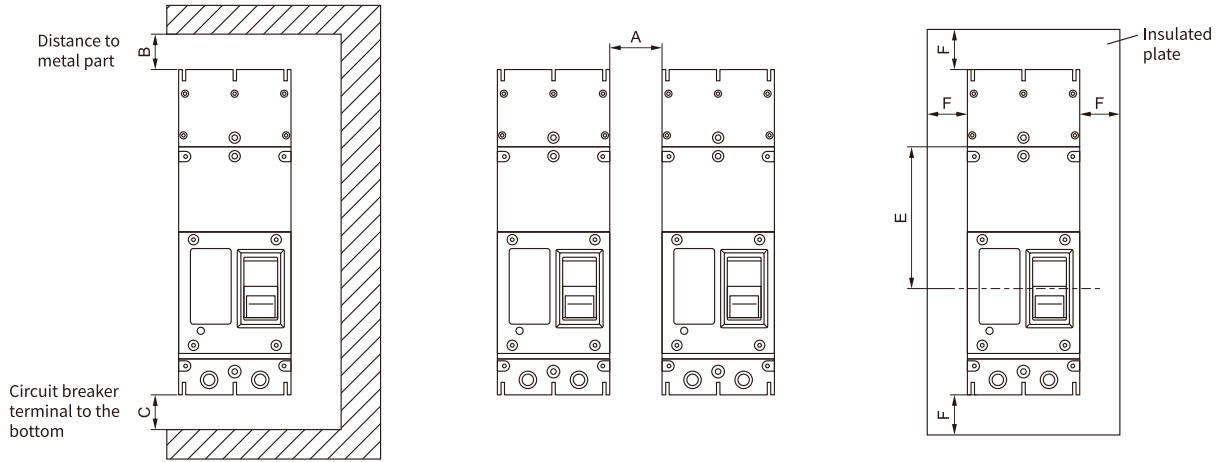


Model	W	W1	W2	L	L1	L2	M	M1	F	H	H1	H2	d	d1	d2	d3
EKM7DC-320	/	99	38	465	/	245	51	101	28	135	118	/	/	7	10	12.5
EKM7DC-400	148	110	49	605	365	319	76	119	45	178	154	150	8	11	13	19
EKM7DC-630	148	110	49	605	365	319	76	119	45	178	154	150	8	11	13	19

EKM7DC-1600

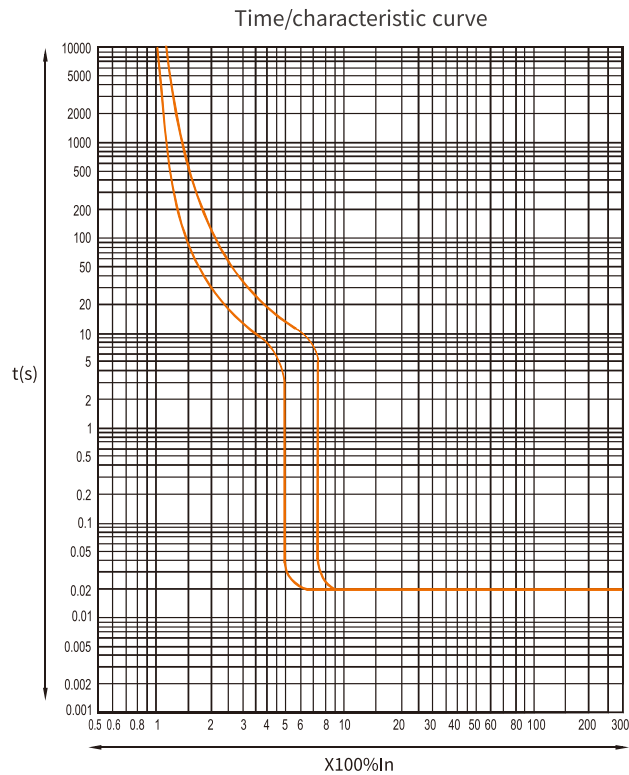


Mounting Diagram



Model	Dimensions (mm)					
	A	B	C	D	E	F
EKM7DC-320	30	30	30	30	93.8	25
EKM7DC-400	50	50	50	50	182.5	25
EKM7DC-630	50	50	50	50	182.5	25
EKM7DC-1600	100	110	110	50	162	110

Tripping Curve





Product Selection Guide

EK U5 - T2 - 40 PV - 2M - 600 S

EK	ETEK
U5	SPD series No.5
T2	Class II / Type 2
40	I.max: 40kA
PV	Solar PV System
2M	No. of Module: 2:2Module; 3:3Module
600	Uc: 600: DC600V; 800: DC800V; 1000: DC1000V; 1500: DC1500V
S	With Remote Signaling

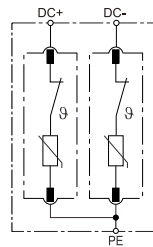
SPD Type Reference List

No. of Module	Max. Continuous Operating DC Voltage			
	600VDC	800VDC	1000VDC	1500VDC
2Module	EKU5-T2-40PV-2M600	EKU5-T2-40PV-2M800	EKU5-T2-40PV-2M1000	-
3Module	-	-	EKU5-T2-40PV-3M1000	EKU5-T2-40PV-3M1500
With Remote Signaling				
2Module	EKU5-T2-40PV-2M600S	EKU5-T2-40PV-2M800S	EKU5-T2-40PV-2M1000S	-
3Module	-	-	EKU5-T2-40PV-3M1000S	EKU5-T2-40PV-3M1500S

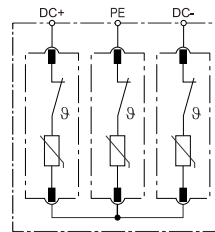
Technical Data

No. of poles	2P(2Mods),3P(3Mods)				
Location of Use	String box, Inverter				
Mode of protection	(DC+)-PE,(DC-)-PE,(DC+)-(DC-)				
Protective elements	High Energy MOV				
Maximum continuous operating DC voltage	Ucpv	600V	800V	1000V	1500V
Norminal discharge current (8/20μs)	In	20kA			
Total discharge current (8/20μs)	ITotal	40kA			
Maximum discharge current (8/20μs)	Imax	40kA			
Voltage protection level (2P)	Up	2.6kV	3.5kV	4.0kV	-
Voltage protection level (3P)	Up	-	-	4.0kV	5.2kV
Response time	tA	≤25ns			
Operating temperature range	Tu	-40°C to +80°C			
Operating state/fault indication	Green/Red				
Cross-section area (Min.)/(Max.)	4mm ² /35mm ²				
Mounting	35 mm DIN Rail, EN 60715				
Enclosure material	Thermal Plastic UL94-V0				
Degree of protection	IP20 (built-in)				

Basic Circuit Diagram

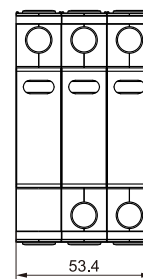
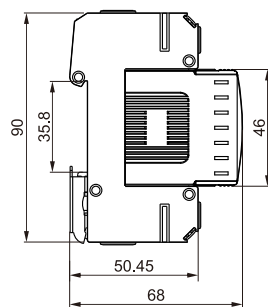


2P



3P

Overall and Installation Dimension(mm)





Product Selection Guide

EK U5 - T1+T2 - 40 PV - 3M - 1500 S

EK	ETEK
U5	SPD series No.5
T1+T2	Class I + II / Type 1+2
40	I.max: 40kA
PV	Solar PV System
3M	No. of Module: 3:3Module
1500	Uc: 1000: DC1000V; 1500: DC1500V
S	With Remote Signaling

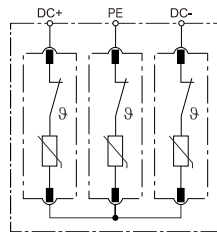
SPD Type Reference List

No. of Module	Max. Continuous Operating DC Voltage	
	1000VDC	1500VDC
3Module	EKU5-T1+T2-40PV-3M1000	EKU5-T1+T2-40PV-3M1500
With Remote Signaling		
3Module	EKU5-T1+T2-40PV-3M1000S	EKU5-T1+T2-40PV-3M1500S

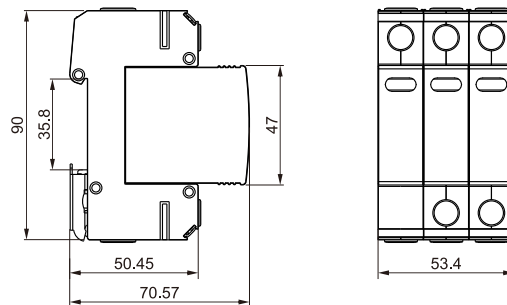
Technical Data

No. of poles	3P		
Location of Use	String box, Inverter		
Mode of protection	(DC+)-PE,(DC-)-PE,(DC+)-(DC-)		
Protective elements	High Energy MOV		
Maximum continuous operating DC voltage	Ucpv	1000V	1500V
Norminal discharge current (8/20 μ s)	In	20kA	
Impulse discharge current (10/350 μ s)	Iimp	6.25kA	
Total discharge current (10/350 μ s)	ITotal	12.5kA	
Total discharge current (8/20 μ s)	ITotal	40kA	
Maximum discharge current (8/20 μ s)	I _{max}	40kA	
Voltage protection level (DC+)-PE,(DC-)-PE	Up	4.0kV	5.2kV
Voltage protection level (DC+)-(DC-)	Up	4.0kV	5.2kV
Response time	tA	≤ 25 ns	
Operating temperature range	Tu	-40°C to +80°C	
Operating state/fault indication	Green/Red		
Cross-section area (Min.)/(Max.)	4mm ² /35mm ²		
Mounting	35 mm DIN Rail, EN 60715		
Enclosure material	Thermal Plastic UL94-V0		
Degree of protection	IP20 (built-in)		





Basic Circuit Diagram



Overall and Installation Dimension(mm)



Technical Data

Model				
	EKF1-10PV-10 EKF1-10XPV-10	EKF1-10PVH-10 EKF1-10XPVH-10	EKF1-15PV-10L	EKF1-15PV-14L
Rated Voltage	1000VDC		1500VDC	
Rated Current	32A		35A	50A
Size of Fuse Link	10x38mm		10x85mm	14x85mm
Class of Operation	gPV		gPV	
Mechanical Life	500		500	
Product Width	18mm		22mm	
Tightening Torque	2.5Nm 14In-lbs		2.5Nm 14In-lbs	
Terminal size for Cable	6mm ² 8-18AWG		10mm ² 6-18AWG	
Ambient temperature (with daily average ≤ 35°C)	-5°C ~ +40°C			
Storage Temperature	-25°C ~ +70°C			
Standard:	IEC60269-6			
Mounting	On DIN rail EN60715(35mm) by means of fast clip device			

Product Selection Guide

EKF1-10(X)PV-10	
EK	Company Code
F	Fuse Base
1	Design No.
10	DC Voltage Grade (10: 1000VDC, 15: 1500VDC)
X	Blank: Without Lamp, X : With Lamp
PV	For Solar DC system, PV: General type, PVH: High encloser type (for EKF1-10PVH-10 new type only)
10	Fitting to Size of Fuse link (10: for 10x38mm 1000V, 10L: for 10x85mm 1500V, 14L: for 14x85mm 1500V)

Reference No.	DC Voltage Grade	Size of Fuse Link	Current Rating for Fuse Link
EKF1-10(X)PV-10	1000VDC	10x38mm	2,3,4,5,6,8,10,12,15,16,20,25,30,32A
EKF1-10(X)PVH-10	1000VDC	10x38mm	2,3,4,5,6,8,10,12,15,16,20,25,30,32A
EKF1-15PV-10L	1500VDC	10x85mm	2,3,4,5,6,8,10,12,15,16,20,25,30,32,35A
EKF1-15PV-14L	1500VDC	14x85mm	25,30,32,35,40,45,50A

Technical Data

Model			
	EKFL10D10	EKFL15D10L	EKFL15D14L
Size	10x38mm	10x85mm	14x85mm
Rated Voltage	1000VDC	1500VDC	1500VDC
Rated Current	2-32A	2-35A	25-50A
Class of Operation	gPV	gPV	gPV
Breaking capacity	50KA	50KA	50KA
Standard:	IEC60269-6		

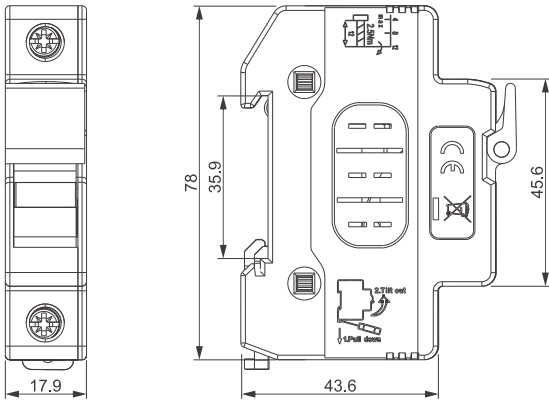
Product Selection Guide

EKFL-10D10L16	
EK	Company Code
FL	Fuse Link
10	DC Voltage Grade (10:1000VDC,15:1500VDC)
D	For Solar DC system
10L	Size of Fuse link (10: 10x38mm 1000V, 10L: 10x85mm 1500V, 14L: 14x85mm 1500V)
16	Current Rating (01,02...40,50A)

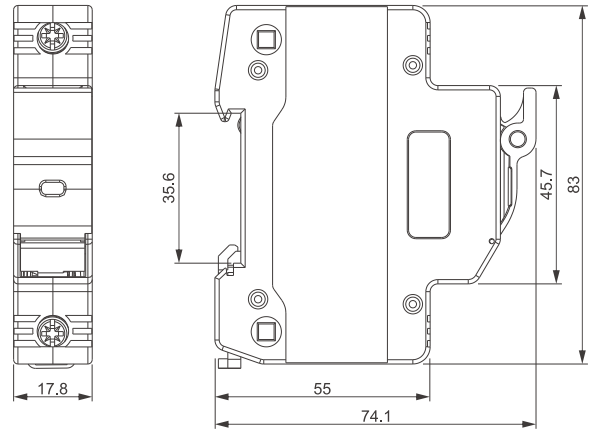
Current Rating	Reference No. for Fuse Link		
	Voltage Grade and Size of Fuse Link		
	EKFL10D10	EKFL15D10L	EKFL15D14L
	1000VDC	1500VDC	1500VDC
	10x38mm	10x85mm	14x85mm
2A	EKFL10D1002	EKFL15D10L02	
3A	EKFL10D1003	EKFL15D10L03	
4A	EKFL10D1004	EKFL15D10L04	
5A	EKFL10D1005	EKFL15D10L05	
6A	EKFL10D1006	EKFL15D10L06	
8A	EKFL10D1008	EKFL15D10L08	
10A	EKFL10D1010	EKFL15D10L10	
12A	EKFL10D1012	EKFL15D10L12	
15A	EKFL10D1015	EKFL15D10L15	
16A	EKFL10D1016	EKFL15D10L16	
20A	EKFL10D1020	EKFL15D10L20	
25A	EKFL10D1025	EKFL15D10L25	EKFL15D14L25
30A	EKFL10D1030	EKFL15D10L30	EKFL15D14L30
32A	EKFL10D1032	EKFL15D10L32	EKFL15D14L32
35A		EKFL15D10L35	EKFL15D14L35
40A			EKFL15D14L40
45A			EKFL15D14L45
50A			EKFL15D14L50

Overall and Installation Dimension(mm)

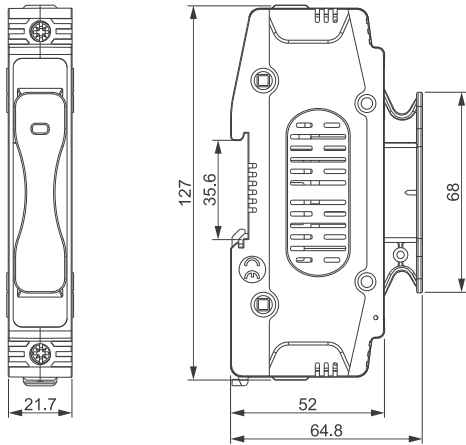
EKF1-10(X)PV-10



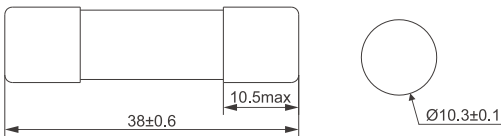
EKF1-10(X)PVH-10



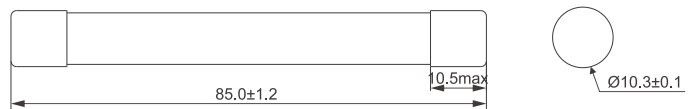
EKF1-15PV-10L/EKF1-15PV-14L



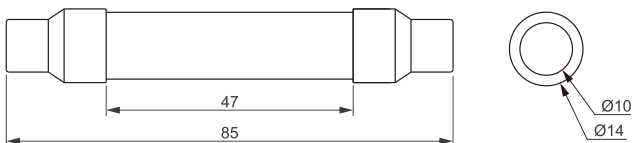
EKFL10D10

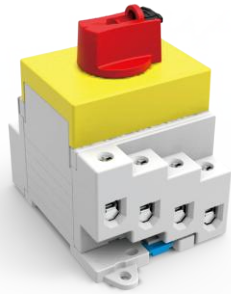


EKFL15D10L



EKFL15D14L





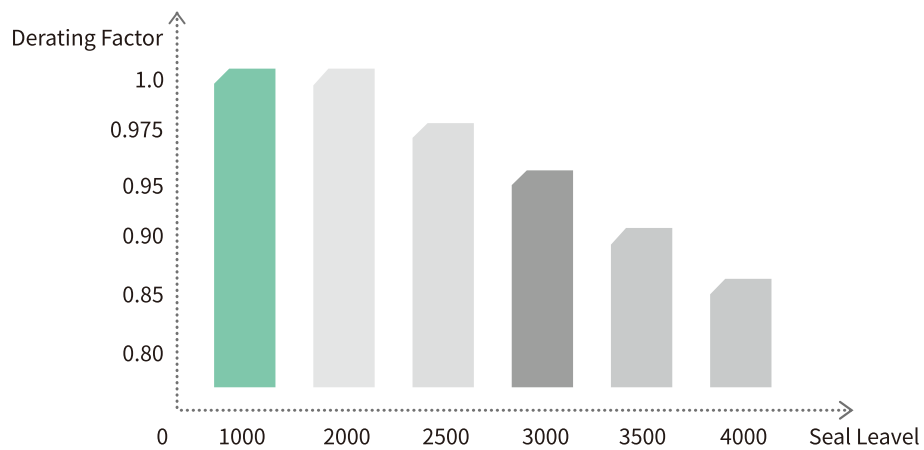
Description

- Parallel wiring, larger aperture, much easier wiring.
- Suitable for distribution box module with lock installation.
- Arc extinction time less than 3ms.
- Modular design. 2 poles & 4poles optional.
- Comply with IEC60947-3(ed.3.2):2015,DC-PV1standard.

Technical Data


Data according to IEC60947-3(ed.3.2):2015,GB14048.3. Utilization category DC-PV1/DC-PV2								Series	No.of Strings	Part Number	Contact Configuration
500V	600V	700V	800V	900V	1000V	1200V	1500V				
32	32	32	32	23	16	13	7	2	1	EKD6-DB32-2	
32	32	32	32	23	16	13	7	4	2	EKD6-DB32-4	
32	32	32	32	32	32	32	23	4	1	EKD6-DB32-4S	
32	32	32	32	32	32	32	23	4	1	EKD6-DB32-4B	
32	32	32	32	32	32	32	23	4	1	EKD6-DB32-4T	

Altitude Derating Curve

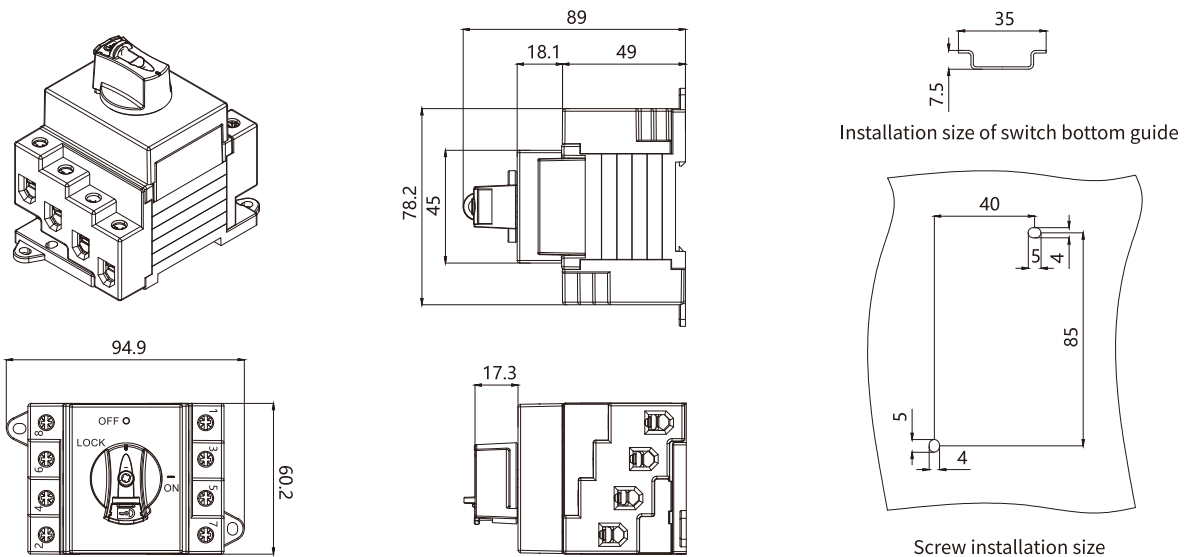


Technical Data

Data according to IEC60947-3(ed.3.2):2015,UL508i,GB14048.3. Utilization category DC-PV1 / DC-PV2.

Main Parameters			DB32
Rated insulation voltage	U_i	V	1500
Rated thermal current	I_{the}	A	32
Rated impulse withstand voltage	U_{imp}	V	8000
Rated short-circuit making capacity	I_{cm}	A	1000
Rated conditional short-circuit current	I_{cc}	A	5000
Max. fuse size	$g_{(gG)}$	A	80
Maximum cable cross sections (incl. jumper)			
Solid or standard		mm ²	4-16
Flexible		mm ²	4-10
Flexible (+ multicore cable end)		mm ²	4-10
Torque			
Tightening torque terminal screws M4.		Nm	1.2-1.8
Tightening torque knob screws M3		Nm	0.5-0.7
Switching on or off torque		Nm	0.9-1.3
General parameters			
Method of mounting			Single Hole Mounting
Type of knob			
Knob positions			OFF at 9 hr, ON at 12 hr
Mechanical life			10000
Number of DC poles			2 or 4
Operation temperature	°C		-40 to +70
Storage temperature	°C		-40 to +85
Pollution degree			2
Overvoltage category			III
IP rating of shafte and mounting nut			IP66

Overall and Installation Dimension(mm)





Description

IP66 box-type design:

- ◆ Screw fixing doesn't interfere with the sealing performance;
- ◆ Multiple mechanical seals around the shaft guarantee the reliability of a waterproof and moisture-proof design;
- ◆ Stainless steel rotary screw does not rust nor damp;
- ◆ Standard cable interface available with seal rings;
- ◆ Internal sealing in top and bottom covers, combined with 2 screws, guarantee an IP66 protection degree;

SAFE-LOCK with three rotational positions, reducing the risk of tampering.

The isolator is compatible with various cables: M25, M20, M16, and M12, and with optional waterproof cable joints and MC4 joints.



Characteristics of the integration inside the on/of switch:


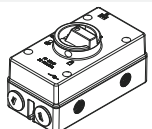
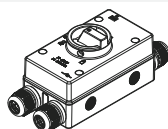
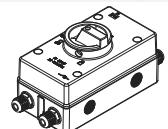
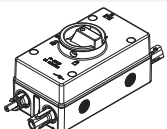
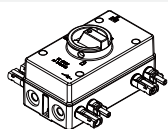
- ◆ Compact structure, with optional 2 or 4 DC poles;
- ◆ Incorporating a user independent switching action, spring mechanism, to ensure a very fast break/make action, ensuring that the disconnection of the load circuits and suppression of the arc normally occurs within 5ms.
- ◆ Self-cleaning contact mechanism, reducing power loss and abrasion, improving the conduction performance, reducing the resistance and energy loss of the switch, extending the on-off lifecycle.
- ◆ Double arc extinguishing mechanism, magnetic and arc chutes, restrain the arc efficiency, especially DC arcs.

Technical Data

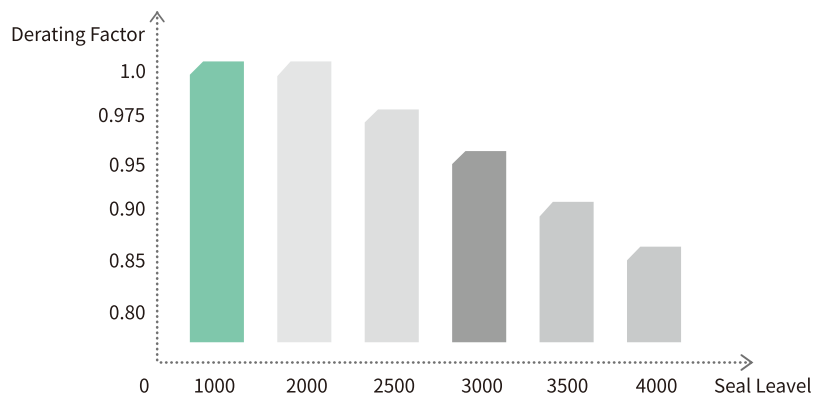
Data according to IEC60947-3(ed.3.2):2015,GB14048.3. Utilization category DC-PV1/DC-PV2								Series	No.of Strings	Part Number	Contact Configuration
500V	600V	700V	800V	900V	1000V	1200V	1500V				
32	32	32	32	23	16	13	7	2	1	EKD6-EL32R-2	
32	32	32	32	23	16	13	7	4	2	EKD6-EL32R-4	
32	32	32	32	32	32	32	23	4	1	EKD6-EL32R-4S	
32	32	32	32	32	32	32	23	4	1	EKD6-EL32R-4B	
32	32	32	32	32	32	32	23	4	1	EKD6-EL32R-4T	

Technical Data

Data according to IEC60947-3(ed.3.2):2015,UL508i,GB14048.3. Utilization category DC-PV1 / DC-PV2.

Main Parameters			EL32R		
Rated insulation voltage	U_i	V	1500		
Rated thermal current	I_{the}	A	32		
Rated impulse withstand voltage	U_{imp}	V	8000		
Rated short-circuit making capacity	I_{cm}	A	1000		
Rated conditional short-circuit current	I_{cc}	A	5000		
Max. fuse size	$g.(gG)$	A	80		
Maximum cable cross sections (incl. jumper)					
Solid or standard		mm ²	4-16		
Flexible		mm ²	4-10		
Flexible (+ multicore cable end)		mm ²	4-10		
Torque					
Tightening torque terminal screws M4.		Nm	1.2-1.8		
Tightening torque panel mounting screws ST4.2(304 stainless steel)		Nm	1.5-2.0		
Tightening torque knob screws M3		Nm	0.5-0.7		
Switching on or off torque		Nm	0.9-1.3		
General parameters					
Method of mounting	Wall-mounted or screw installation				
Type of knob					
Knob positions	OFF at 9 hr, ON at 12 hr				
Mechanical life	10000				
Number of DC poles	2 or 4				
Distance of contacts (per pole)	8				
Operation temperature	°C	-40 to +70			
Storage temperature	°C	-40 to +85			
Pollution degree	2				
Overtoltage category	III				
IP rating of shafte and mounting nut	IP66				
Types					
Specs	M25 Waterproof Cap	Cable Gland M25	Cable Gland M16	2MC4/H4(Optional)	4MC4/H4(Optional)
Independent Strings	1 or 2	1 or 2	1	1	1
Recommend Types	ALL	ALL	2/4S/4T/4B	2/4S/4T/4B	4

Altitude Derating Curve

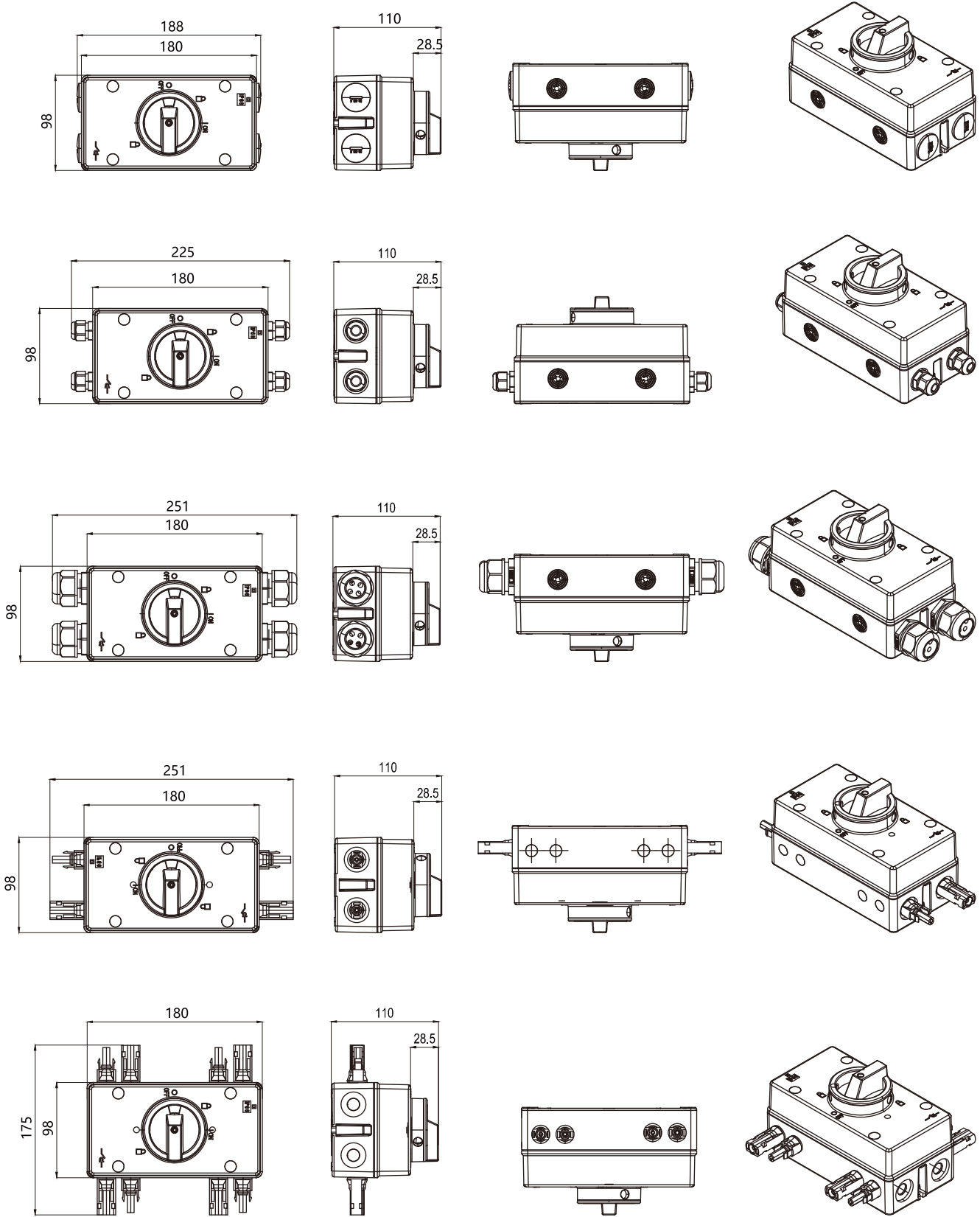


EKD6-EL32R

Enclosed DC Isolator Switch

Standard_IEC60947-3

Overall and Installation Dimension(mm)

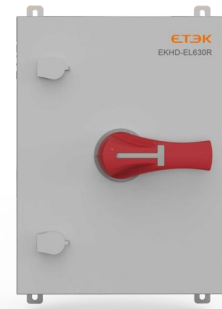




EKHD-315



EKHD-630



Product Benefits

Easy to install

- Wiring: Switch is non-polarized, all types of wiring and connections are possible.
- Easy access without tools, and auxiliary contacts can be integrated without tools.
- The operating mechanism can be centered to meet the installation requirements.

Safe reliable operation

- Reliable position indicator through visible contacts.
- The opening and closing of the switch is fully independent from the speed of operation, ensuring safe operation under all conditions.
- High temperature withstand: no derating up to 70°C.
- Ambient Temperature: -40°C to +70°C.

Designed for harsh environments

- Vibration testing (from 13.2 to 100 Hz at 0.7g).
- Shock testing (15g during three cycles).
- Humid temperature testing (2cycles, 55°C/131F with 95% humidity level).
- Salt mist testing(3cycles with humidity storage, 40°C/104F, 93% humidity after each cycle).

AUX. contact easy-mounting

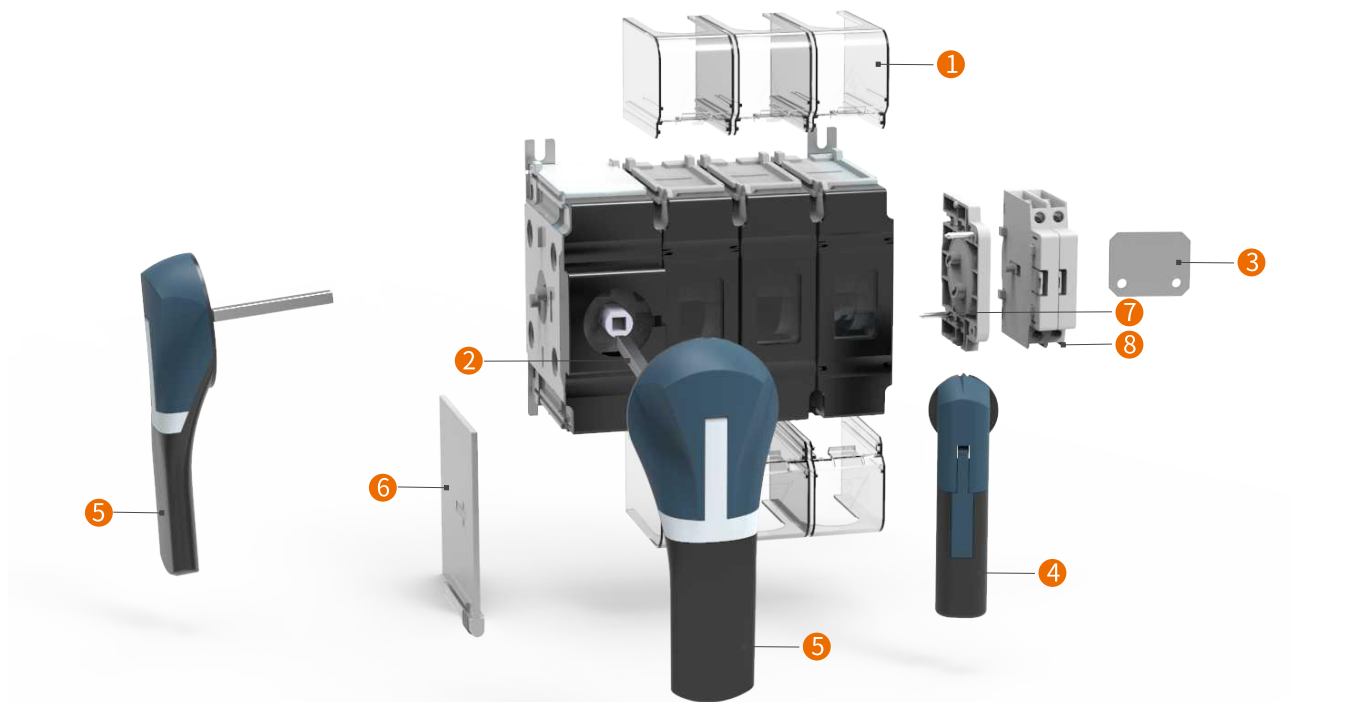
- Side mount PE pole
- Side mount auxiliary contactP1: 1NO+1NC P2: 2NO P3: 1NO

Select Code

EKHD 1 2 - 3 4 5 6 7 8 9 0 1 2

No	Description	Code
1	High voltage DC disconnector	EKHD
2	Rated Voltage	N:1000Vdc T:1500Vdc
3	Installation method	DB: Directly operate the handle in the cabinet DC: Outside handle EL:Plastic enclosure box ELA: Metal enclosure box
4	Rated current	160, 250, 315, 400,630, 800
5	Knob lock	R: With lock Nils: Without lock
6	Pole array	02, 11, 03, 12, 22

*Note: The left digit represents the number on the left side of the operating mechanism, and the right digit represents the number on the right side of the operating mechanism



- 1 Terminal shroud
- 2 Extension rod
- 3 Bridge bar
- 4 Direct handle
- 5 Door interlocked handle
- 6 Phase barrier
- 7 AUX. coupler
- 8 AUX. contact(2no or 1NC1NO)

*Note:Accessories

1. Phase barrier: PB315 for EKHD-315, PB630 for EKHD-630;
2. Terminal shield: TS315 for EKHD-315, TS630 for EKHD-630;
3. Extension Rod: ER0620/ER1020,0620 represents square rod size 6, length 200,1020 represents square rod size 10, length 200, and the length can be customized.

Technical Data

Rated current (Ie)				160A	250A	315A	315H	400A	630A	800A	
Frame size				EKHD-315			EKHD-630				
Thermal current (Ith)				160	250	315	400	400	630	800	
Rated insulation voltage (Ui)				1500	1500	1500	1500	1500	1500	1500	
Rated impulse withstand voltage Uimp (KV)				12	12	12	12	12	12	12	
Code	Number of poles	Rated voltage	Utilisation category	Ie(A)	Ie(A)	Ie(A)	Ie(A)	Ie(A)	Ie(A)	Ie(A)	
EKHDN	2P(1P+,1P-)	4P(2P+,2P-)	1000VDC	DC-PV1/DC-21B	160	250	315	400	400	630	800
EKHDT	2P(1P+,1P-)	4P(2P+,2P-)	1500VDC	DC-PV1/DC-21B	160	250	315	400	400	630	800
EKHDT	3P(2P+,1P-)	6P(4P+,2P-)	1500VDC	DC-PV1/DC-21B	-	-	-	-	-	-	-
Code	Number of poles	Rated voltage	Utilisation category	Ie(A)	Ie(A)	Ie(A)	Ie(A)	Ie(A)	Ie(A)	Ie(A)	
EKHDN	2P(1P+,1P-)	4P(2P+,2P-)	1000VDC	DC-PV2	160	250	315	-	400	630	-
EKHDT	2P(1P+,1P-)	4P(2P+,2P-)	1500VDC	DC-PV2	100	160	250	-	400	630	-
EKHDT	3P(2P+,1P-)	6P(4P+,2P-)	1500VDC	DC-PV2	-	-	315	-	-	-	800
The short-circuit capacity is between 1000 and 1500VDC (no protection)											
Rated short time withstand current Icw 1s (kAeff)				Icw	5	5	5	5	8	8	8
Rated short-circuit making capacity Icm(kA peak) -60ms				Icm	10	10	10	10	10	10	10
Cable											
Recommended Cu rigid cable cross section(mm)					70	120	185	185	240	2x185	2x240
Recommended Cu busbar width(mm)					20	20	20	20	25	25	25
Mechanical characteristics											
Durability (number of operating cycles)					8000	8000	8000	8000	8000	8000	8000
Number of cycles of operation with current					1000	1000	1000	1000	1000	1000	1000

Add-on Auxiliary Contacts



Type	EAS80-P1	EAS80-P2	EAS80-P3
Contacts	1NO+1NC	2NO	1NO
Width	9mm	9mm	9mm
Parameter	AC-13: 10A, 230V~ AC-15: 6A,230V~		
Function	<p>1NO+1NC</p>	<p>2NO</p>	<p>1NO</p>

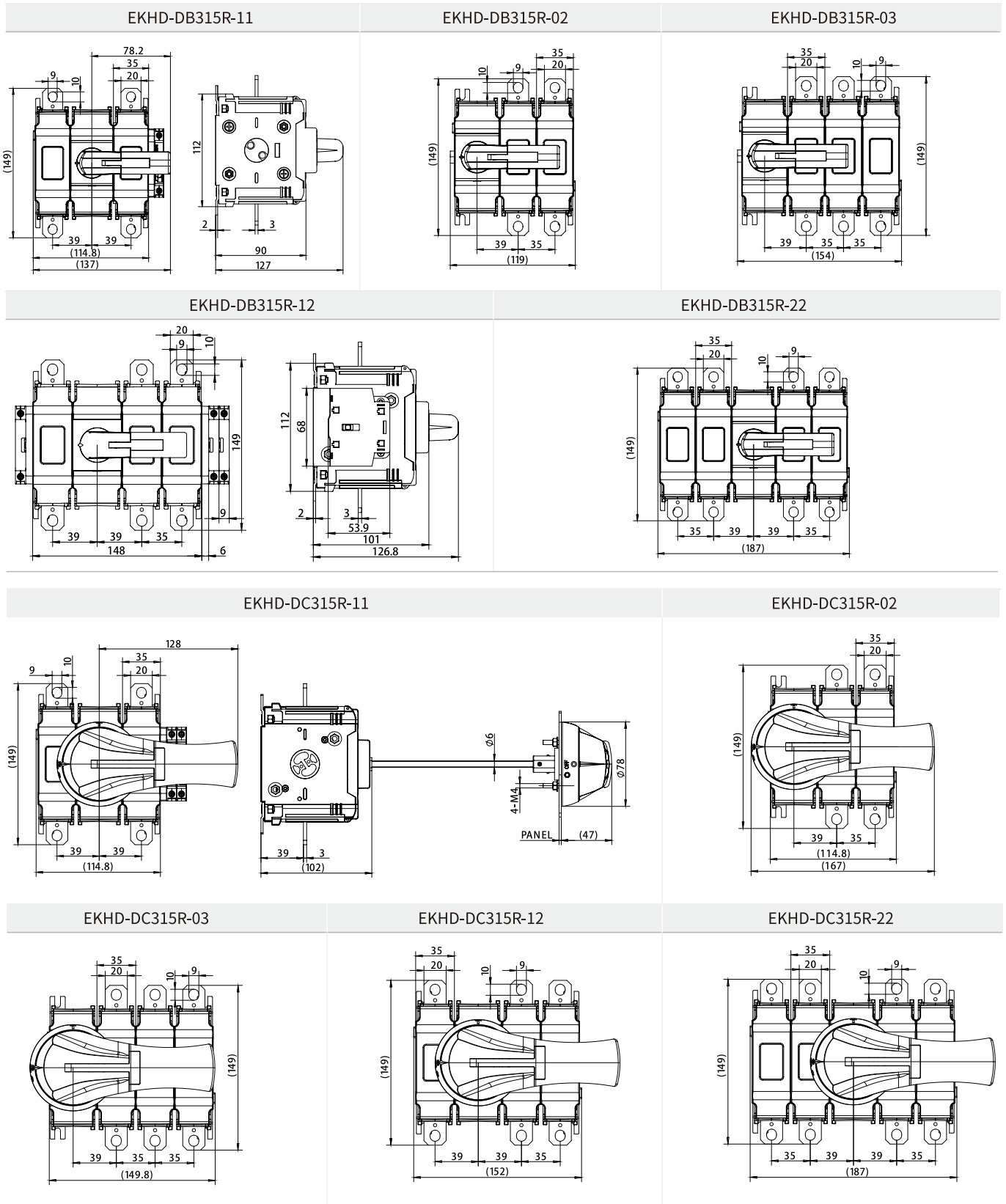
Circuit Reference Table

DC-PV1 1000V/1500V circuit reference table							
Rated current (Ie)	160	250	315	315H	400	630	800
Thermal current (Ith)	160A	250A	315A	400A	400A	630A	800A
Circuit diagram							
Polarity feature	1 Line(1P+,1P-)	1 Line(1P+,1P-)	1 Line(1P+,1P-)	1 Line(1P+,1P-)	1 Line(1P+,1P-)	1 Line(1P+,1P-)	1 Line(1P+,1P-)
Circuit diagram							
Polarity feature	2 Line(2P+,2P-)	2 Line(2P+,2P-)	2 Line(2P+,2P-)	2 Line(2P+,2P-)	2 Line(2P+,2P-)	2 Line(2P+,2P-)	2 Line(2P+,2P-)

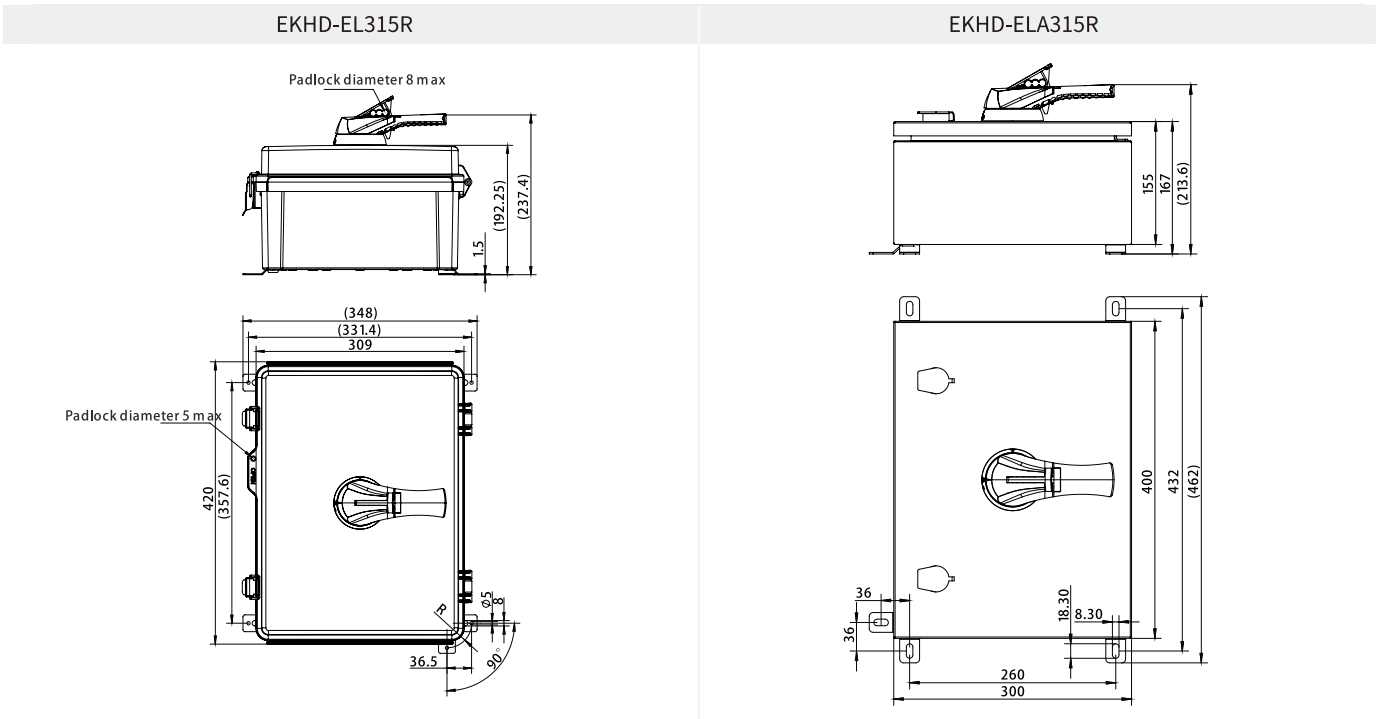
DC-PV2 1000V circuit reference table							
Rated current (Ie)	160	250	315	400	630	800	
Thermal current (Ith)	160A	250A	315A	400A	630A	800A	
Circuit diagram						-	
Polarity feature	1 Line(1P+,1P-)	1 Line(1P+,1P-)	1 Line(1P+,1P-)	1 Line(1P+,1P-)	1 Line(1P+,1P-)	-	
Circuit diagram						-	
Polarity feature	2 Line(2P+,2P-)	2 Line(2P+,2P-)	2 Line(2P+,2P-)	2 Line(2P+,2P-)	2 Line(2P+,2P-)	-	

DC-PV2 1500V circuit reference table							
Rated current (Ie)	160	250	315	400	630	800	
Thermal current (Ith)	160A	250A	315A	400A	630A	800A	
Circuit diagram							
Polarity feature	1 Line(1P+,1P-)	1 Line(1P+,1P-)	1 Line(2P+,1P-)	1 Line(1P+,1P-)	1 Line(1P+,1P-)	1 Line(2P+,1P-)	
Circuit diagram							
Polarity feature	2 Line(2P+,2P-)	2 Line(2P+,2P-)	2 Line(4P+,2P-)	2 Line(2P+,2P-)	2 Line(2P+,2P-)	2 Line(4P+,2P-)	

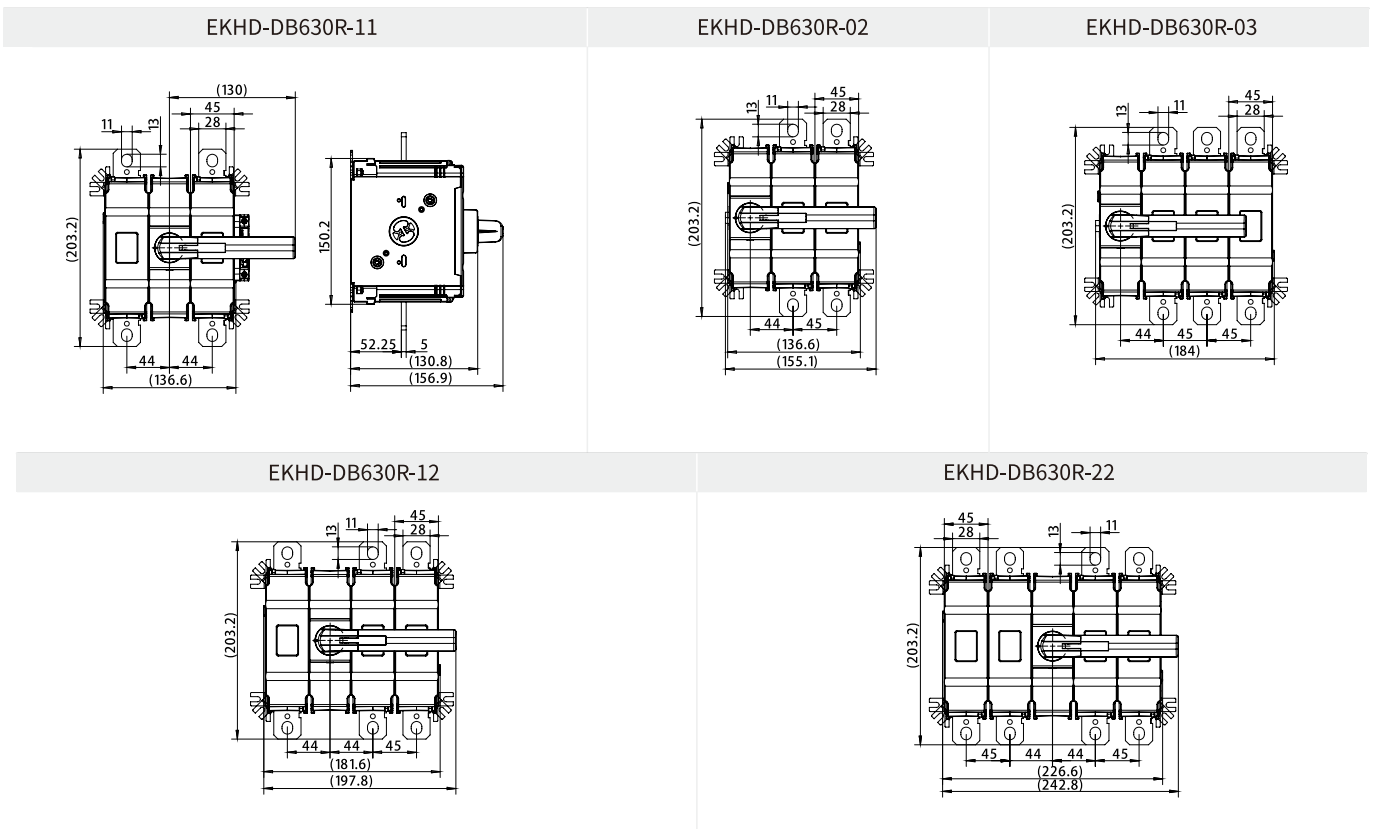
Dimensions: Frame315, Ith=160A, 250A, 315A, 400A



Dimensions: Frame315, Ith=160A, 250A, 315A, 400A

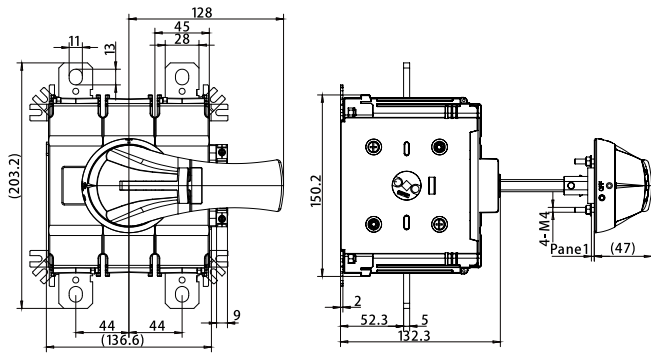


Dimensions: Frame630, Ith=400A, 630A, 800A

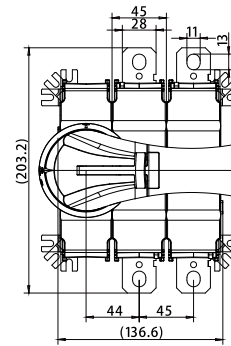


Dimensions: Frame630, Ith=400A, 630A, 800A

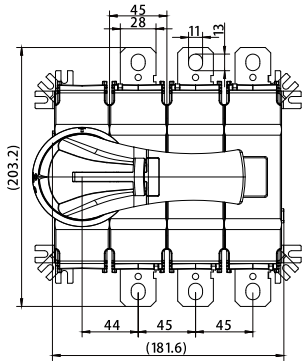
EKHD-DC630R-11



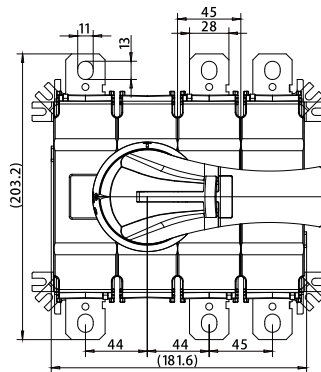
EKHD-DC630R-02



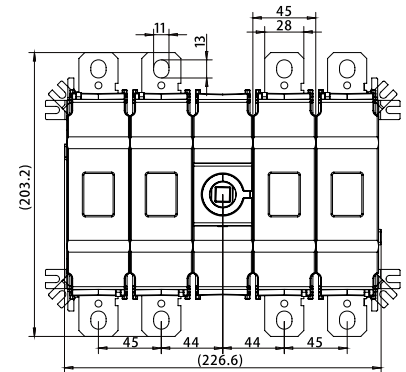
EKHD-DC630R-03



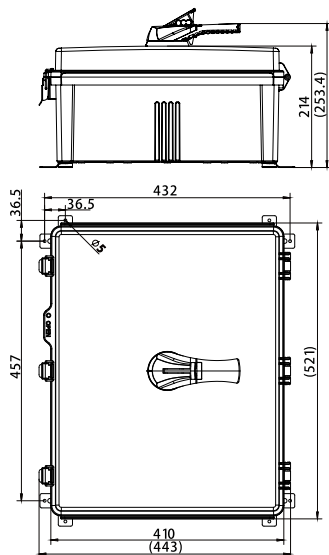
EKHD-DC630R-12



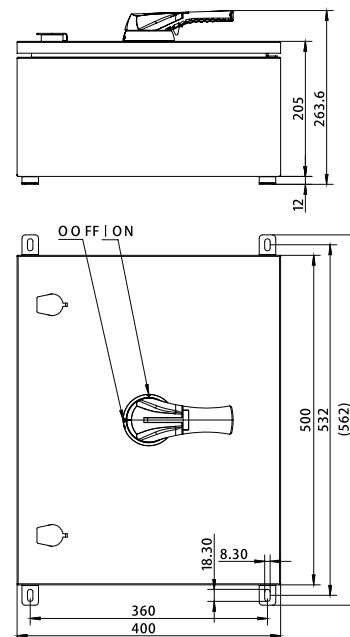
EKHD-DC630R-22



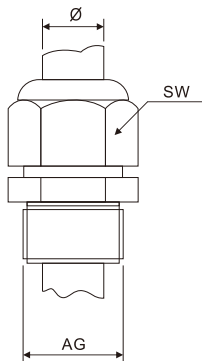
EKHD-EL630R



EKHD-ELA630



Waterproof Cable Gland



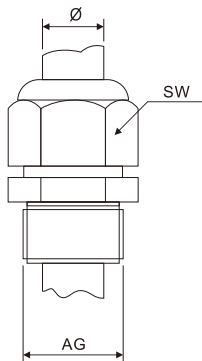
Technical Parameters

Material	UL approved nylon PA66, nitrile rubber
Thread Specifications	Metric, PG, G, NPT
Operating temperature	Static -40°C ~ 100°C, instantaneous heat to 120°C, dynamic -20°C ~ 80°C, instantaneous heat to 100°C
Features	Special clamping claws and rubber parts design, clamping range, especially tensile strength, waterproof, dustproof, salt, acid, alcohol, grease and common solvents
Color Category	Black, gray, special colors (white, red, blue, dark gray) can be customized
Protection class	IP68

Specifications Model

Model	Thread size (mm)	Hole size AG(mm)	Thread length (mm)	Wall thickness (mm)	Applicable cable Φ(mm)	Wrench size SW(mm)
PG7	12.5	Ø12.6-13	9	3	3.5-7	18/16
PG9	15.2	Ø15.3-15.5	9	3	4-9	22/19
PG11	18.6	Ø18.7-19	9	3	5-11	24/22
PG13.5	20.4	Ø20.5-21	9	4	6-12	27/24
PG16	22.5	Ø22.6-23	10	5	10-14	30/27
PG19	24	Ø24.2-24.5	10	5	12-15	30/28
PG21	28.3	Ø28.5-29	12	5	13-18	36/33
PG25	30	Ø30.2-30.5	12	6	16-21	37/35
PG29	37	Ø37.2-37.5	12	6	18-25	45/42
PG36	47	Ø47.3-48	17	7	22-32	58/52
PG42	54	Ø54.5-55	19	7	32-39	65/60
PG48	59.3	Ø60-61	19	7	37-44	70/69
PG63	71	Ø71.5-72	27	19	42-51	83/75

Waterproof Cable Gland



Technical Parameters

Material	UL approved nylon PA66, nitrile rubber
Thread Specifications	Metric, PG, G, NPT
Operating temperature	Static -40°C ~ 100°C, instantaneous heat to 120°C, dynamic -20°C ~ 80°C, instantaneous heat to 100°C
Features	Special clamping claws and rubber parts design, clamping range, especially tensile strength, waterproof, dustproof, salt, acid, alcohol, grease and common solvents
Color Category	Black, gray, special colors (white, red, blue, dark gray) can be customized
Protection class	IP68

Specifications Model

Model	Thread size (mm)	Hole size AG(mm)	Thread length (mm)	Wall thickness (mm)	Applicable cable Φ(mm)	Wrench size SW(mm)
M12	M12×1.5	Φ12.2-12.5	9	3	3-7	18/16
M16	M16×1.5	Φ16.2-16.5	9	3	4-8	22/19
M18	M18×1.5	Φ18.2-18.5	9	3	5-10	24/22
M20	M20×1.5	Φ20.2-20.5	9	5	6-12	27/24
M22	M22×1.5	Φ22.2-22.5	10	5	10-14	30/27
M24	M24×1.5	Φ24.2-24.5	10	5	12-15	33/28
M25	M25×1.5	Φ25.2-25.5	10	5	13-15	33/28
M25	M25×1.5	Φ25.2-25.5	12	5	13-18	33/30
M27	M27×1.5	Φ27.2-27.5	12	5	13-18	35/33
M30	M30×1.5	Φ30.2-30.5	12	6	16-21	37/37
M32	M32×1.5	Φ32.2-32.5	12	6	16-21	39/35
M36	M36×1.5	Φ36.2-37	12	6	18-25	45/42
M40	M40×1.5	Φ40.2-41	17	7	20-26	52/52
M50	M50×1.5	Φ50.5-51	19	10	32-39	60/60
M63	M63×1.5	Φ63.5-64	19	10	37-44	74/69
M72	M72×1.5	Φ72.5-73	27	15	42-52	83/77

PV-EK01(1000V)/PV-EK01-1(1000V)



Solar DC Connector

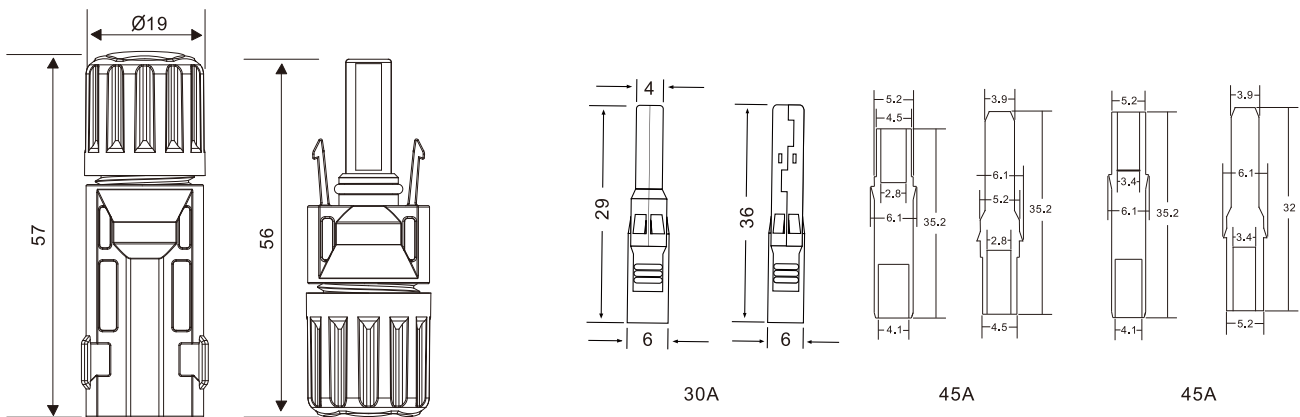
Standard_ IEC60068-2-52



Technical Data

Connector system	Φ2.5mm, Φ4mm, Φ6mm
Rated voltage	1000V DC
Rated current	30A(2.5mm ² , 4mm ² , 6mm ² ; 14AWG, 12AWG, 10AWG) 45A(4mm ² , 6mm ² ; 12AWG, 10AWG)
Test voltage	6kV(50Hz, 1min.)
Ambient temperature range	-40°C... +90°C(IEC) -40°C... +194°F(UL)
Upper limiting temperature	+105°C(IEC)
Degree of protection, mated	IP67
Unmated	IP2X
Contact resistance of plug connectors	0.5mΩ
Safety class	II
Contact material	Messing, verzinkt Copper Alloy, tin plated
Insulation material	PC/PPO
Locking system	Snap-in
Flame class	UL-94-V0
Salt mist spray test, degree of severity 5	IEC 60068-2-52

Dimensional Drawing(mm)



PV-EK02(1000V)/PV-EK02-1(1000V)



Solar DC Connector

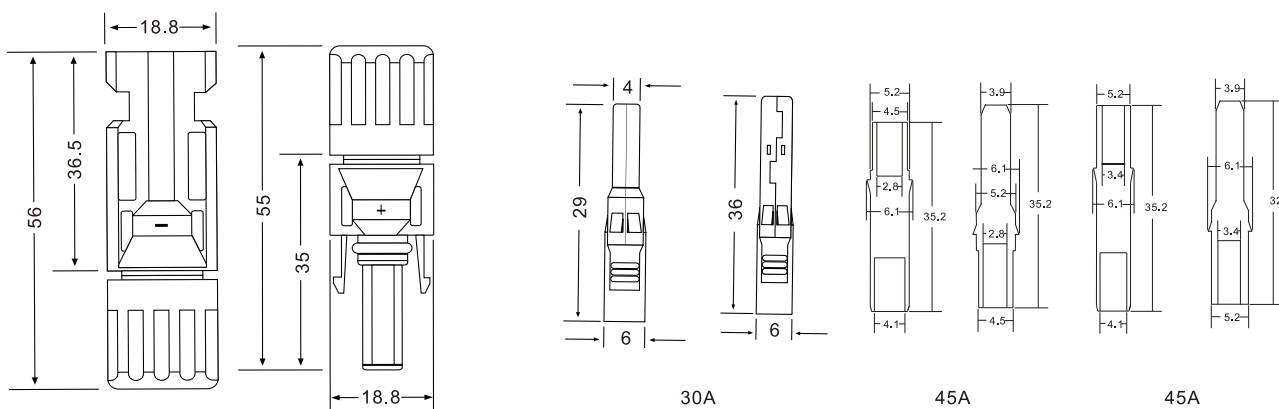
Standard_ IEC60068-2-52



Technical Data

Connector system	Φ2.5mm, Φ4mm, Φ6mm
Rated voltage	1000V DC
Rated current	30A(2.5mm ² , 4mm ² , 6mm ² ; 14AWG, 12AWG, 10AWG) 45A(4mm ² , 6mm ² ; 12AWG, 10AWG)
Test voltage	6kV(50Hz,1min.)
Ambient temperature range	-40°C... +90°C(IEC) -40°C... +194°F(UL)
Upper limiting temperature	+105°C(IEC)
Degree of protection, mated	IP67
Unmated	IP2X
Contact resistance of plug connectors	0.5mΩ
Safety class	II
Contact material	Messing, verzinkt Copper Alloy, tin plated
Insulation material	PC/PPO
Locking system	Snap-in
Flame class	UL-94-V0
Salt mist spray test, degree of severity 5	IEC 60068-2-52

Dimensional Drawing(mm)

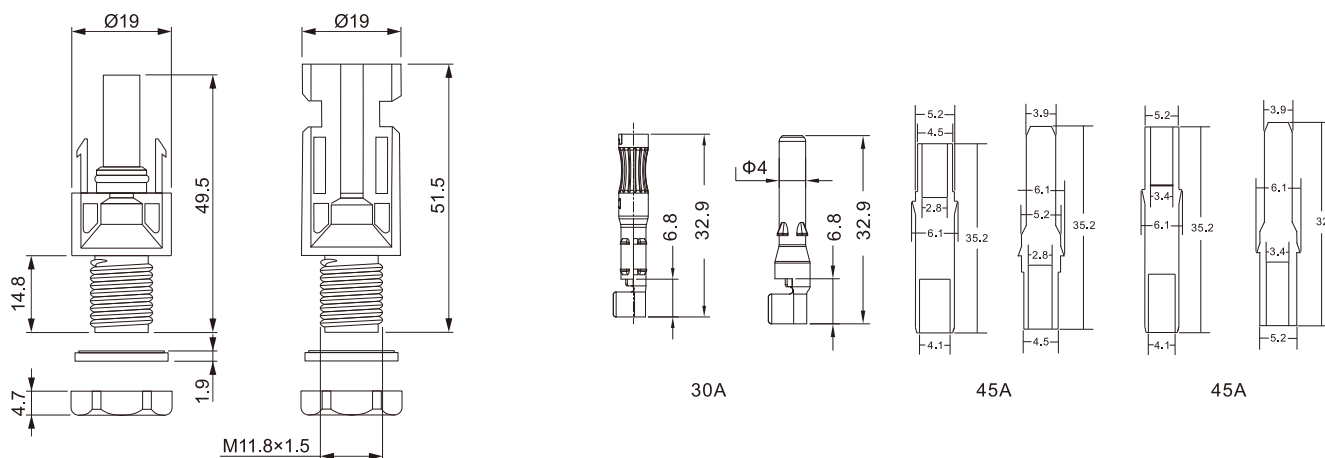




Technical Data

Connector system	Φ2.5mm, Φ4mm, Φ6mm
Rated voltage	1000V DC
Rated current	30A(2.5mm ² , 4mm ² , 6mm ² ; 14AWG, 12AWG, 10AWG) 45A(4mm ² , 6mm ² ; 12AWG, 10AWG)
Test voltage	6kV(50Hz,1min.)
Ambient temperature range	-40°C... +90°C(IEC) -40°C... +194°F(UL)
Upper limiting temperature	+105°C(IEC)
Degree of protection, mated	IP67
Unmated	IP2X
Contact resistance of plug connectors	0.5mΩ
Safety class	II
Contact material	Messing, verzinkt Copper Alloy, tin plated
Insulation material	PC/PPO
Locking system	Snap-in
Flame class	UL-94-V0
Salt mist spray test, degree of severity 5	IEC 60068-2-52

Dimensional Drawing(mm)



PV-EK04(1500V)/PV-EK04-1(1500V)



Solar DC Connector

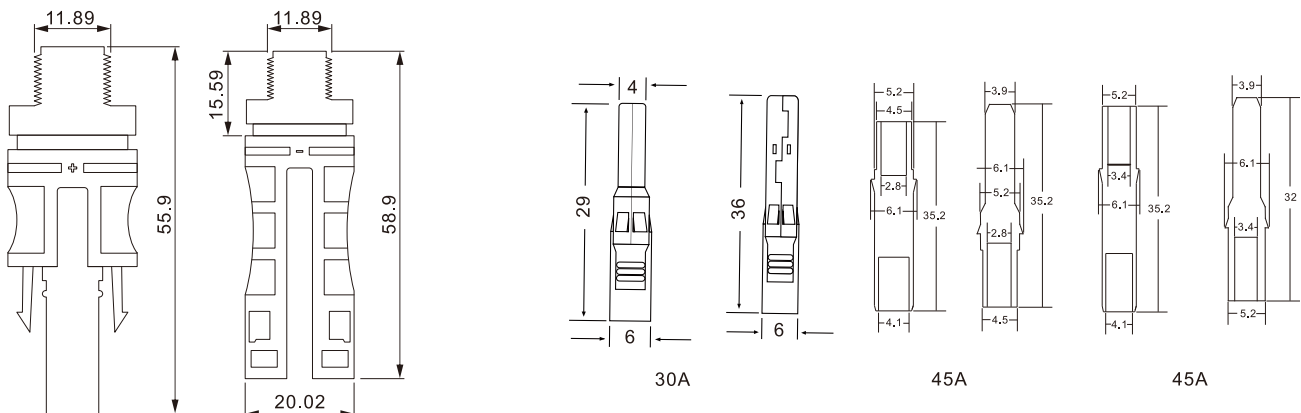
Standard_ IEC60068-2-52



Technical Data

Connector system	Φ2.5mm, Φ4mm, Φ6mm
Rated voltage	1500V DC
Rated current	30A(2.5mm ² , 4mm ² , 6mm ² ; 14AWG, 12AWG, 10AWG) 45A(4mm ² , 6mm ² ; 12AWG, 10AWG)
Test voltage	6kV(50Hz,1min.)
Ambient temperature range	-40°C... +90°C(IEC) -40°C... +194°F(UL)
Upper limiting temperature	+105°C(IEC)
Degree of protection, mated	IP67
Unmated	IP2X
Contact resistance of plug connectors	0.5mΩ
Safety class	II
Contact material	Messing, verzinkt Copper Alloy, tin plated
Insulation material	PC/PPO
Locking system	Snap-in
Flame class	UL-94-V0
Salt mist spray test, degree of severity 5	IEC 60068-2-52

Dimensional Drawing(mm)



PV-EK05(1500V)/PV-EK05-1(1500V)



Solar DC Connector

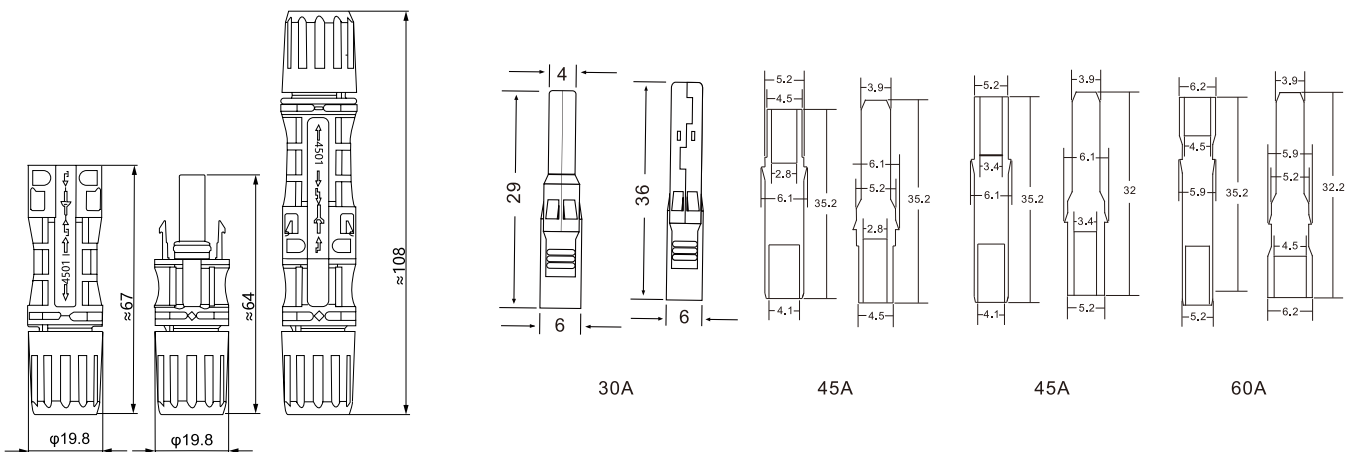
Standard_ IEC60068-2-52



Technical Data

Connector system	Φ2.5mm, Φ4mm, Φ6mm, Φ10mm, Φ16mm
Rated voltage	1500V DC
Rated current	30A(2.5mm ² , 4mm ² , 6mm ² ; 14AWG, 12AWG, 10AWG) 45A(4mm ² , 6mm ² ; 12AWG, 10AWG) 60A(10mm ² ; 8AWG) 80A(16mm ² ; 7AWG)
Test voltage	6kV(50Hz, 1min.)
Ambient temperature range	-40°C... +90°C(IEC) -40°C... +194°F(UL)
Upper limiting temperature	+105°C(IEC)
Degree of protection, mated	IP67
Unmated	IP2X
Contact resistance of plug connectors	0.5mΩ
Safety class	II
Contact material	Messing, verzinkt Copper Alloy, tin plated
Insulation material	PC/PPO
Locking system	Snap-in
Flame class	UL-94-V0
Salt mist spray test, degree of severity 5	IEC 60068-2-52

Dimensional Drawing(mm)



PV-EKF02(1500V)



Solar DC Connector

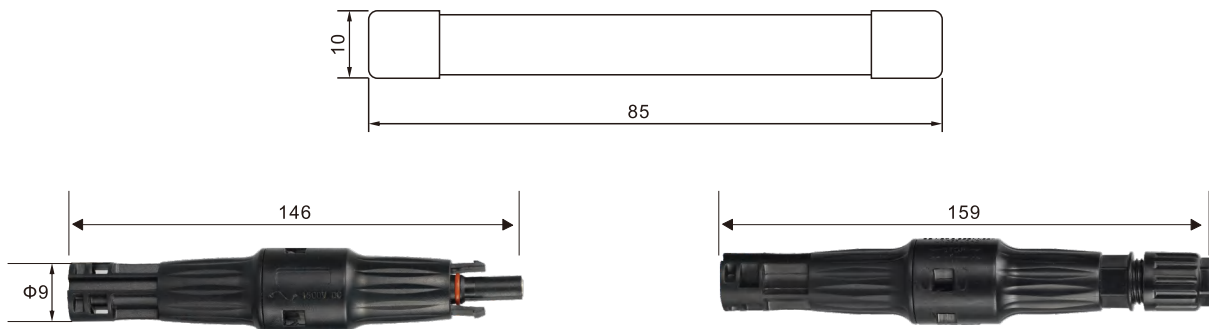
Standard_IEC60068-2-52



Technical Data

Connector system	Φ4mm
Rated voltage	1500V DC(IEC) ¹
Rated current	10A,15A,20A,25A
Test voltage	6kV(50Hz,1min.)
Ambient temperature range	-40°C... +90°C(IEC) -40°C... +194°F(UL)
Upper limiting temperature	+105°C(IEC)
Degree of protection, mated	IP67
Unmated	IP2X
Contact resistance of plug connectors	0.5mΩ
Safety class	II
Contact material	Messing, verzinkt Copper Alloy, tin plated
Insulation material	PC/PPO
Locking system	Snap-in
Flame class	UL-94-V0
Salt mist spray test, degree of severity 5	IEC 60068-2-52

Dimensional Drawing(mm)

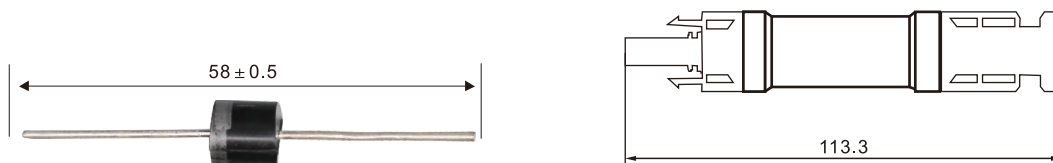




Technical Data

Connector system	Φ4mm
Rated voltage	1000V DC
Rated current	10A,15A,20A,30A
Test voltage	6kV(50Hz,1min.)
Ambient temperature range	-40°C... +90°C(IEC)
Upper limiting temperature	+105°C(IEC)
Degree of protection, mated	IP67
Unmated	IP2X
Contact resistance of plug connectors	0.5mΩ
Safety class	II
Contact material	Messing, verzinkt Copper Alloy, tin plated
Insulation material	PC/PPO
Locking system	Snap-in
Flame class	UL-94-V0
Salt mist spray test, degree of severity 5	IEC 60068-2-52

Dimensional Drawing(mm)

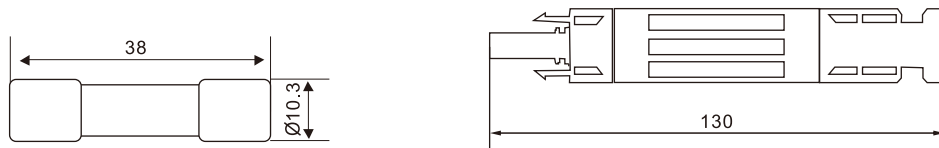




Technical Data

Connector system	Φ4mm
Rated voltage	1000V DC
Rated current	10A,15A,20A,25A,30A
Test voltage	6kV(50Hz,1min.)
Ambient temperature range	-40°C... +90°C(IEC)
Upper limiting temperature	+105°C(IEC)
Degree of protection, mated	IP67
Unmated	IP2X
Contact resistance of plug connectors	0.5mΩ
Safety class	II
Contact material	Messing, verzinkt Copper Alloy, tin plated
Insulation material	PC/PPO
Locking system	Snap-in
Flame class	UL-94-V0
Salt mist spray test, degree of severity 5	IEC 60068-2-52

Dimensional Drawing(mm)

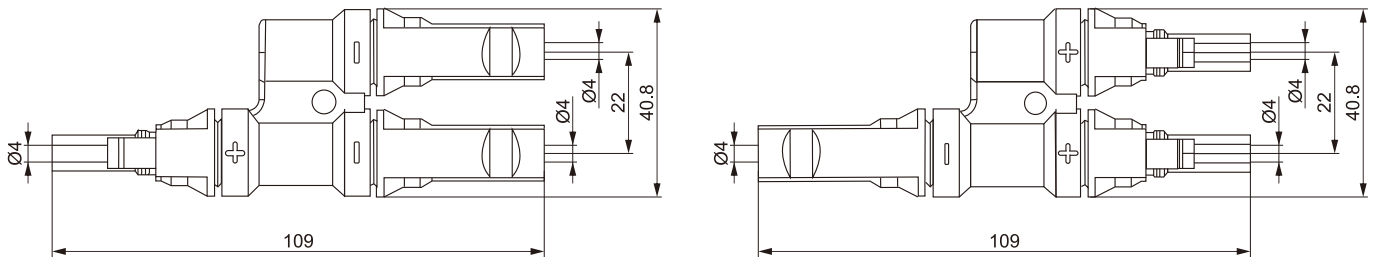




Technical Data

Insulation Material	PPO
Contact Material	Copper, Tin plated
Suitable Current	50A
Rated Voltage	1000V(TUV) 600V(UL)
Test Voltage	6kV(TUV50Hz,1min)
Contact Resistance	<0.5mΩ
Degree of Protection	IP67
Ambient Temperature Range	-40°C~+85°C
Flame Class	UL 94-VO
Safety Class	II
Pin Dimensions	Φ4mm

Dimensional Drawing(mm)

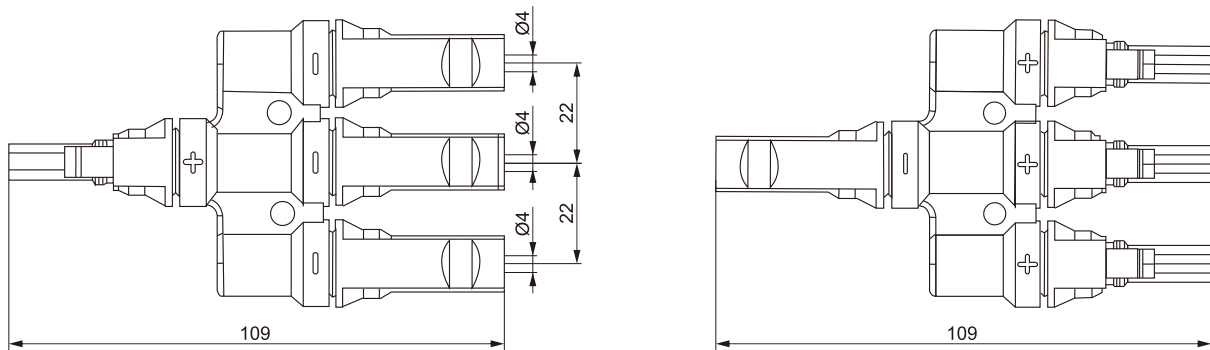




Technical Data

Insulation Material	PPO
Contact Material	Copper, Tin plated
Suitable Current	50A
Rated Voltage	1000V(TUV) 600V(UL)
Test Voltage	6kV(TUV50Hz,1min)
Contact Resistance	<0.5mΩ
Degree of Protection	IP67
Ambient Temperature Range	-40°C~+85°C
Flame Class	UL 94-V0
Safety Class	II
Pin Dimensions	Φ4mm

Dimensional Drawing(mm)

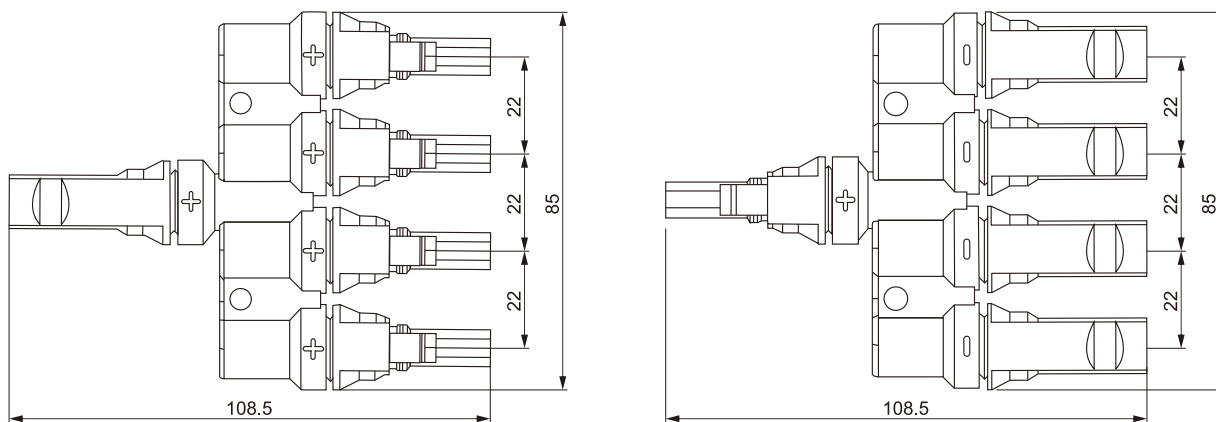




Technical Data

Insulation Material	PPO
Contact Material	Copper, Tin plated
Suitable Current	30A
Rated Voltage	1000V(TUV) 600V(UL)
Test Voltage	6kV(TUV50Hz,1min)
Contact Resistance	<0.5mΩ
Degree of Protection	IP67
Ambient Temperature Range	-40°C~+85°C
Flame Class	UL 94-V0
Safety Class	II
Pin Dimensions	Φ4mm

Dimensional Drawing(mm)

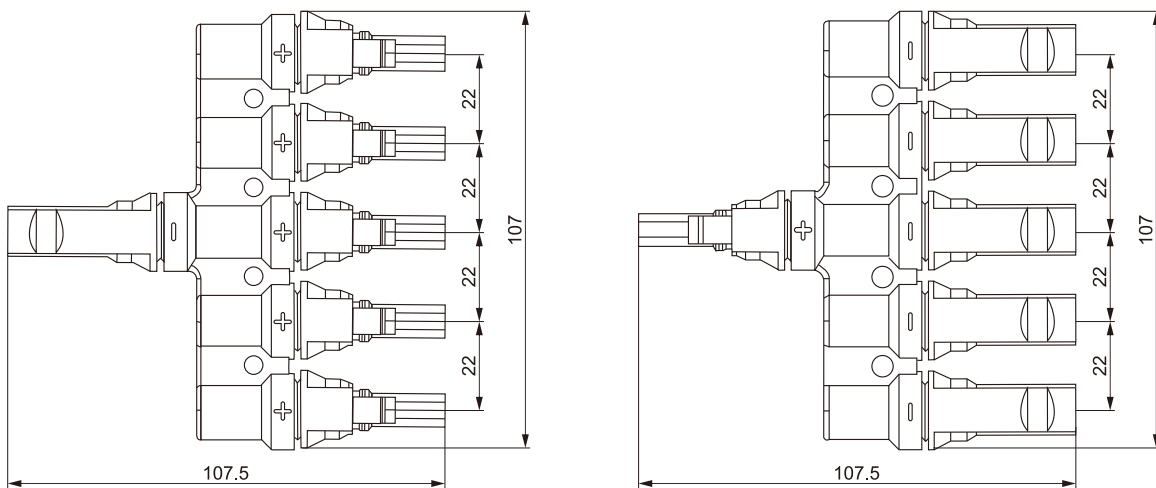




Technical Data

Insulation Material	PPO
Contact Material	Copper, Tin plated
Suitable Current	30A
Rated Voltage	1000V(TUV) 600V(UL)
Test Voltage	6kV(TUV50Hz,1min)
Contact Resistance	<0.5mΩ
Degree of Protection	IP67
Ambient Temperature Range	-40°C~+85°C
Flame Class	UL 94-V0
Safety Class	II
Pin Dimensions	Φ4mm

Dimensional Drawing(mm)

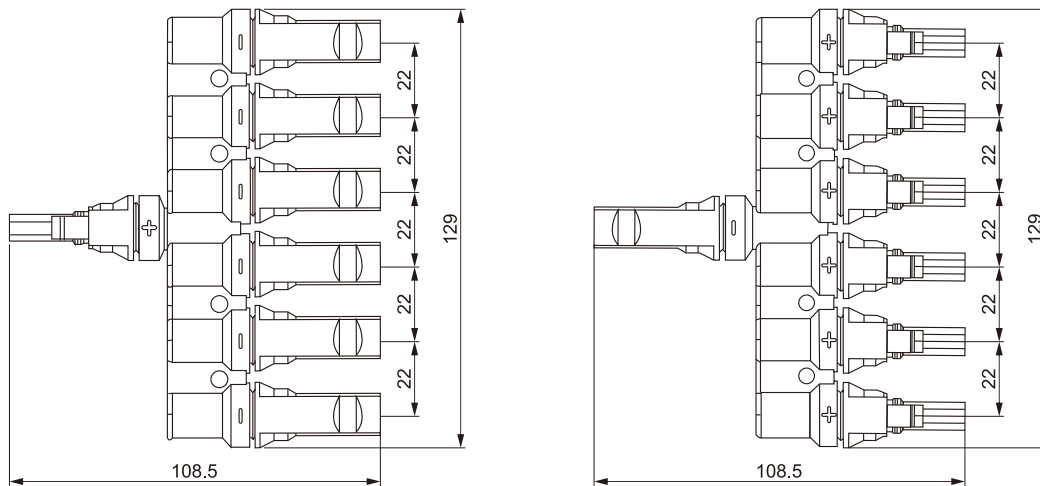




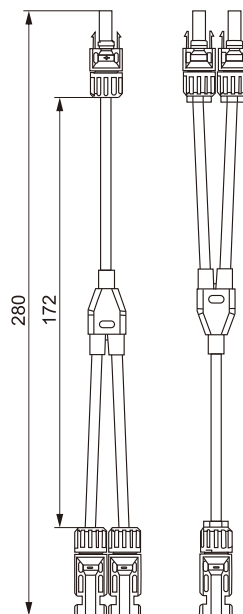
Technical Data

Insulation Material	PPO
Contact Material	Copper, Tin plated
Suitable Current	50A
Rated Voltage	1000V(TUV) 600V(UL)
Test Voltage	6kV(TUV50Hz,1min)
Contact Resistance	<0.5mΩ
Degree of Protection	IP67
Ambient Temperature Range	-40°C~+85°C
Flame Class	UL 94-V0
Safety Class	II
Pin Dimensions	Φ4mm

Dimensional Drawing(mm)



Dimensional Drawing(mm)



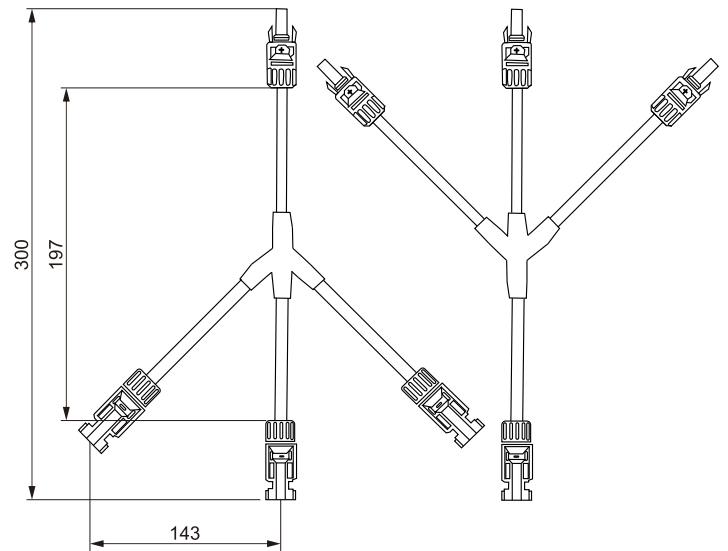
Dimensions are measured by hand and are for reference only

Technical Data

Connector system	Φ4mm
Rated voltage	1000V DC(IEC) ¹
Rated current	30A
Test voltage	6kV(50HZ,1min.)
Ambient temperature range	-40°C... +90°C(IEC) -40°C... +75°C(UL)
Upper limiting temperature	+105°C(IEC)
Degree of protection, mated	IP67
unmated	IP2X
Contact resistance of plug connectors	0.5mΩ
Safety class	II
Contact material	Messing, verzinkt Copper Alloy, tin plated
Insulation material	PC/PA
Locking system	Snap-in
Flame class	UL-94-V0
Salt mist spray test, degree of severity 5	IEC 60068-2-52



Dimensional Drawing(mm)

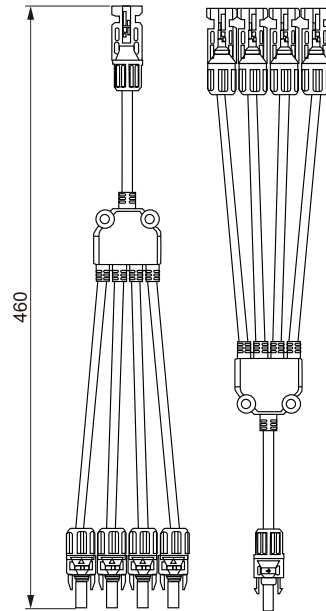


Dimensions are measured by hand and are for reference only

Technical Data

Connector system	Φ4mm
Rated voltage	1000V DC(IEC) ¹
Rated current	30A
Test voltage	6kV(50HZ,1min.)
Ambient temperature range	-40°C... +90°C(IEC) -40°C... +75°C(UL)
Upper limiting temperature	+105°C(IEC)
Degree of protection, mated	IP67
unmated	IP2X
Contact resistance of plug connectors	0.5mΩ
Safety class	II
Contact material	Messing, verzinkt Copper Alloy, tin plated
Insulation material	PC/PA
Locking system	Snap-in
Flame class	UL-94-V0
Salt mist spray test, degree of severity 5	IEC 60068-2-52

Dimensional Drawing(mm)



Technical Data

Connector system	Φ4mm
Rated voltage	1000V DC(IEC) ¹
Rated current	30A
Test voltage	6kV(50HZ,1min.)
Ambient temperature range	-40°C... +90°C(IEC) -40°C... +75°C(UL)
Upper limiting temperature	+105°C(IEC)
Degree of protection, mated	IP67
unmated	IP2X
Contact resistance of plug connectors	0.5mΩ
Safety class	II
Contact material	Messing, verzinkt Copper Alloy, tin plated
Insulation material	PC/PA
Locking system	Snap-in
Flame class	UL-94-V0
Salt mist spray test, degree of severity 5	IEC 60068-2-52

PV-LT006 Tow-set Spanners



PV-LTM2(1000V)



PV-LTM5(1500V) dedicated



PV-LTM2/M4(1000V) dedicated

Crimping Tool & Stripping Tool

Suitable for crimping the cable of 2.5~6.0mm²(AWG10-14) Suitable for solar system installation site, flexible application.

PV-B001
Crimping Tool



PV-B002
Crimping Tool



PV-B003
Crimping Tool



PV-B004
Stripping Tool



2.5m², 4m², 6m² PV MDC Cable

2.5m² 14AWM, 4m², 6m² 12AWM, 10AWM PV MDC Cable



2.5m², 4m², 6m² PV MDC Cable

2.5m²



4m²



6m²





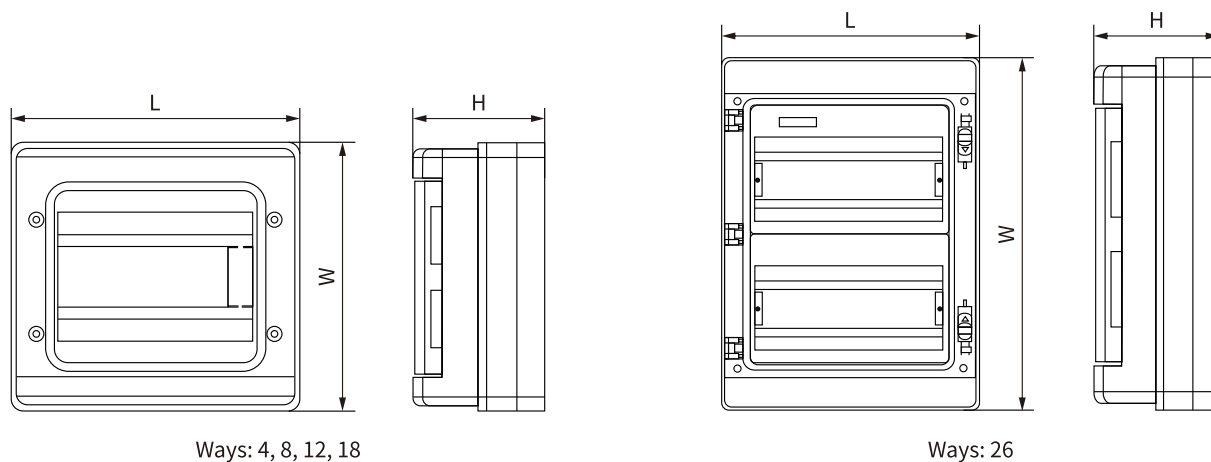
Product Function Introduction

Protection class	IP65
Insulation	Class II
Material	Polycarbonate/ABS
Shock resistance	IK10
Protection against chemicals and weather conditions	Water, saline solutions, acids, basics, mineral oils, UV rays
Operating temperature	-25°C~+100°C
Performance	
Nominal insulation voltage	1000V AC-1500V DC

HA Series Surface-Mounted Waterproof Distribution Box Product Data Summary Table

Model No.	Ways	Dimensions(mm)		
		L	W	H
HA-4	4	142.8	210.3	99.5
HA-8	8	215	209	98
HA-12	12	298	259	140
HA-18	18	411	286.3	137.8
HA-26	26(2x13)	323.5	420	139.5

Overall and Installation Dimension(mm)





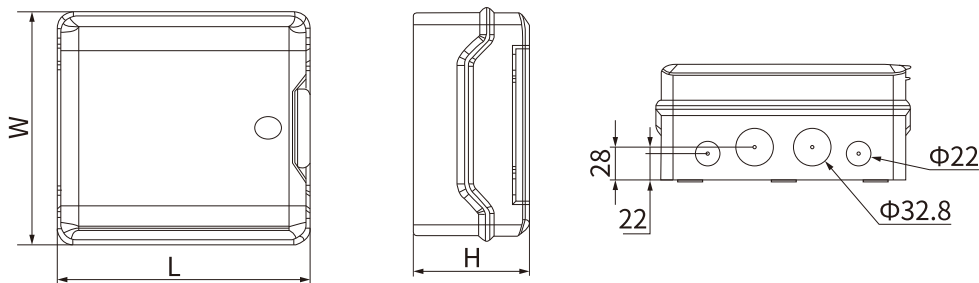
Product Function Introduction

- IP65 degree of protection
- Lock structure
- Reserved position for functional stickers
- Reserved for installation of anti-theft locks
- Circuit baffle structure
- Surface frame loose structure
- With knockout hole
- With copper terminal assemblies

EKDB10 Series Surface-Mounted Waterproof Distribution Box Product Data Summary Table

No.	Model and name	Ways	Ranked	Dimensions LxWxH	Zero and ground row configuration
1	EKDB10-4	4	Single row	128x200x100	Zero row: 3 holes Ground row: 3 holes
2	EKDB10-6	6		164x200x100	Zero row: 5 holes Ground row: 5 holes
3	EKDB10-9	9		218x200x100	Zero row: 5 holes Ground row: 5 holes
4	EKDB10-13	13		296x230x120	Zero row: 8 holes Ground row: 8 holes
5	EKDB10-15	15		332x230x120	Zero row: 8 holes Ground row: 8 holes
6	EKDB10-18	18		380x230x120	Zero row: 8 holes Ground row: 8 holes
7	EKDB10-26	26(2x13)	Double row	296x390x130	Zero row: Two 8 holes Ground row: Two 8 holes

Overall and Installation Dimension(mm)





Overview

The EKDBS series of solar DC combiner boxes are designed with a high-strength plastic shell, ensuring a robust and durable product. The boxes have an IP65 protection level, providing optimal protection against harsh environmental conditions. These combiner boxes are suitable for both household and industrial photovoltaic power generation systems that operate at 500V, 600V and 1000V.

The boxes can be equipped with a range of components such as DC circuit breakers, isolator switches, DC surge protectors, DC fuses, photovoltaic connectors, or waterproof joints.

The EKDBS series offers lightning protection, short circuit protection, and ground protection, ensuring the safety of the system. The EKDBS series supports one or multiple outputs and can be easily installed on walls. All components, apart from the core components, can be customized according to user requirements.

Model Preparation Meaning



Code name	Meaning
①	ETEK
②	DBS: plastic box
③	PV: General photovoltaic sites
④	String in/String out: 1/1, 2/1, 2/2, 3/1, 3/2, 3/3, 4/1, 4/2, 5/1, 5/2, 6/2

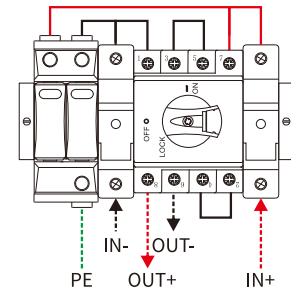
Code name	Meaning
⑤	Blank: without F: Fuse S: SPD C: Cable Gland I: Isolator B: Breaker M: MC4
⑥	500: 500V 1000: 1000V 600: 600V

Solar DC Combiner Box

1 String Input 1 String Output DC 600V

DC Isolator Switch Box

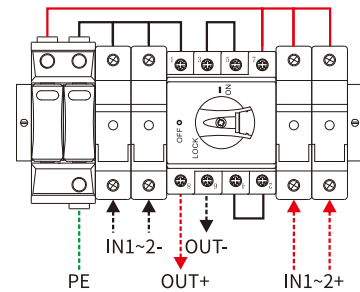
Model	EKDBS-PV1/1-IFS-600	Quantity
Enclosure of Box	HA-12 ways	1
DC SPD	EKU5-T2-40PV-2M600 (40kA, 2P, 600VDC)	1
DC Isolator	EKD6-DB32-4S (4P, 32A)	1
DC Fuse with Link	EKF1-10XPVH-10-1P (Max 32A 1000VDC)	2
PG connector	PG9 (4-9mm ²)	4
MC4 connector	PV-EK03 (6mm ²)	2
	PV-EK01 (6mm ²)	2
Ground connector	PG9 (4-9mm ²)	1



2 String Input 1 String Output DC 600V

DC Isolator Switch Box

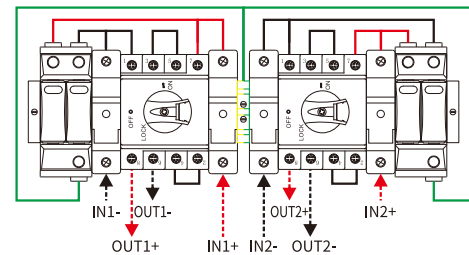
Model	EKDBS-PV2/1-IFS-600	Quantity
Enclosure of Box	HA-12 ways	1
DC SPD	EKU5-T2-40PV-2M600 (40kA, 2P, 600VDC)	1
DC Isolator	EKD6-DB32-4S (4P, 32A)	1
DC Fuse with Link	EKF1-10XPVH-10-1P (Max 15A 1000VDC)	4
PG connector	PG9 (4-9mm ²)	6
MC4 connector	PV-EK03 (6mm ²)	3
	PV-EK01 (6mm ²)	3
Ground connector	PG9 (4-9mm ²)	1



2 String Input 2 String Output DC 600V

DC Isolator Switch Box

Model	EKDBS-PV2/2-IFS-600	Quantity
Enclosure of Box	HA-18 ways	1
DC SPD	EKU5-T2-40PV-2M600 (40kA, 2P, 600VDC)	2
DC Isolator	EKD6-DB32-4S (4P, 32A)	2
DC Fuse with Link	EKF1-10XPVH-10-1P (Max 32A 1000VDC)	4
PG connector	PG9 (4-9mm ²)	8
MC4 connector	PV-EK03 (6mm ²)	4
	PV-EK01 (6mm ²)	4
Ground connector	PG9 (4-9mm ²)	1

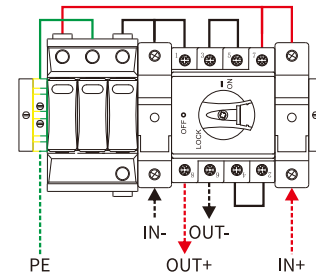


Solar DC Combiner Box

1 String Input 1 String Output DC 1000V

DC Isolator Switch Box

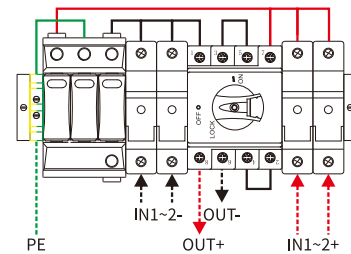
Model	EKDBS-PV1/1-IFS-1000	Quantity
Enclosure of Box	HA-12 ways	1
DC SPD	EKU5-T2-40PV-3M1000 (40kA, 3P, 1000VDC)	1
DC Isolator	EKD6-DB32-4S (4P, 32A)	1
DC Fuse with Link	EKF1-10XPVH-10-1P (Max 32A 1000VDC)	2
PG connector	PG9 (4-9mm ²)	4
MC4 connector	PV-EK03 (6mm ²)	2
	PV-EK01 (6mm ²)	2
Ground connector	PG9 (4-9mm ²)	1



2 String Input 1 String Output DC 1000V

DC Isolator Switch Box

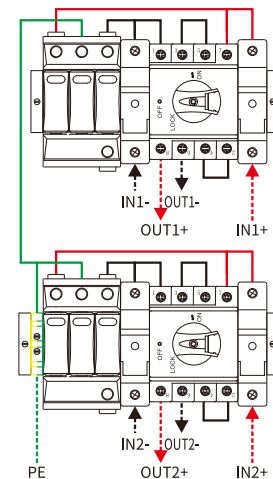
Model	EKDBS-PV2/1-IFS-1000	Quantity
Enclosure of Box	HA-12 ways	1
DC SPD	EKU5-T2-40PV-3M1000 (40kA, 3P, 1000VDC)	1
DC Isolator	EKD6-DB32-4S (4P, 32A)	1
DC Fuse with Link	EKF1-10XPVH-10-1P (Max 15A 1000VDC)	4
PG connector	PG9 (4-9mm ²)	6
MC4 connector	PV-EK03 (6mm ²)	3
	PV-EK01 (6mm ²)	3
Ground connector	PG9 (4-9mm ²)	1



2 String Input 2 String Output DC 1000V

DC Isolator Switch Box

Model	EKDBS-PV2/2-IFS-1000	Quantity
Enclosure of Box	HA-26 ways	1
DC SPD	EKU5-T2-40PV-3M1000 (40kA, 3P, 1000VDC)	2
DC Isolator	EKD6-DB32-4S (4P, 32A)	2
DC Fuse with Link	EKF1-10XPVH-10-1P (Max 32A 1000VDC)	4
PG connector	PG9 (4-9mm ²)	8
MC4 connector	PV-EK03 (6mm ²)	4
	PV-EK01 (6mm ²)	4
Ground connector	PG9 (4-9mm ²)	1

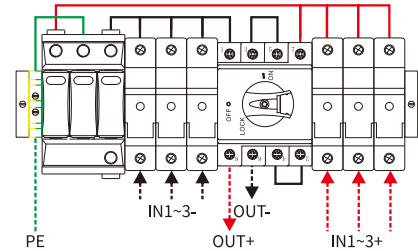


Solar DC Combiner Box

3 String Input 1 String Output DC 1000V

DC Isolator Switch Box

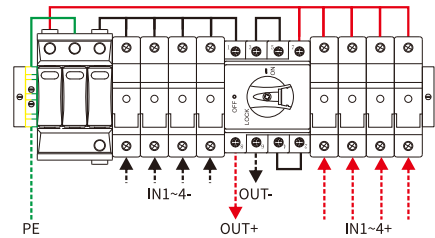
Model	EKDBS-PV3/1-IFS-1000	Quantity
Enclosure of Box	HA-18 ways	1
DC SPD	EKU5-T2-40PV-3M1000 (40kA, 3P, 1000VDC)	1
DC Isolator	EKD6-DB32-4S (4P, 32A)	1
DC Fuse with Link	EKF1-10XPVH-10-1P (Max 10A 1000VDC)	6
PG connector	PG9 (4-9mm ²)	8
MC4 connector	PV-EK03 (6mm ²)	4
	PV-EK01 (6mm ²)	4
Ground connector	PG9 (4-9mm ²)	1



4 String Input 1 String Output DC 1000V

DC Isolator Switch Box

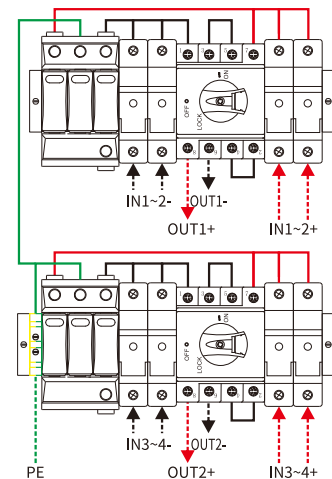
Model	EKDBS-PV4/1-IFS-1000	Quantity
Enclosure of Box	HA-18 ways	1
DC SPD	EKU5-T2-40PV-3M1000 (40kA, 3P, 1000VDC)	1
DC Isolator	EKD6-DB32-4S (4P, 32A)	1
DC Fuse with Link	EKF1-10XPVH-10-1P (Max 5A 1000VDC)	8
PG connector	PG9 (4-9mm ²)	10
MC4 connector	PV-EK03 (6mm ²)	5
	PV-EK01 (6mm ²)	5
Ground connector	PG9 (4-9mm ²)	1



4 String Input 2 String Output DC 1000V

DC Isolator Switch Box

Model	EKDBS-PV4/2-IFS-1000	Quantity
Enclosure of Box	HA-26 ways	1
DC SPD	EKU5-T2-40PV-3M1000 (40kA, 3P, 1000VDC)	2
DC Isolator	EKD6-DB32-4S (4P, 32A)	2
DC Fuse with Link	EKF1-10XPVH-10-1P (Max 5A 1000VDC)	8
PG connector	PG9 (4-9mm ²)	12
MC4 connector	PV-EK03 (6mm ²)	6
	PV-EK01 (6mm ²)	6
Ground connector	PG9 (4-9mm ²)	1

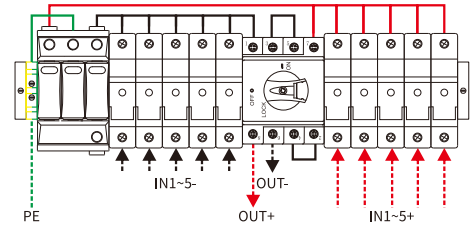


Solar DC Combiner Box

5 String Input 1 String Output DC 1000V

DC Isolator Switch Box

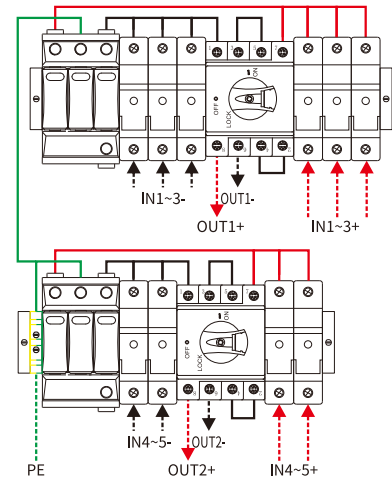
Model	EKDBS-PV5/1-IFS-1000	Quantity
Enclosure of Box	HA-18 ways	1
DC SPD	EKU5-T2-40PV-3M1000 (40kA, 3P, 1000VDC)	1
DC Isolator	EKD6-DB32-4S (4P, 32A)	1
DC Fuse with Link	EKF1-10XPVH-10-1P (Max 6A 1000VDC)	10
PG connector	PG9 (4-9mm ²)	12
MC4 connector	PV-EK03 (6mm ²)	6
	PV-EK01 (6mm ²)	6
Ground connector	PG9 (4-9mm ²)	1



5 String Input 2 String Output DC 1000V

DC Isolator Switch Box

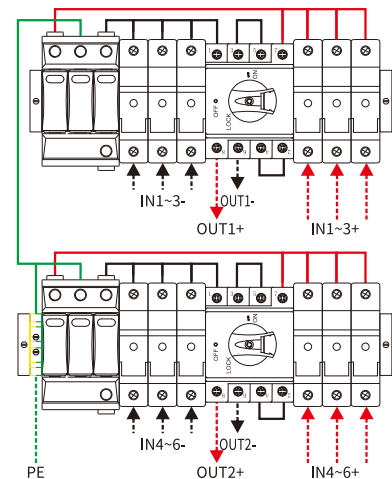
Model	EKDBS-PV5/2-IFS-1000	Quantity
Enclosure of Box	HA-18 ways	1
DC SPD	EKU5-T2-40PV-3M1000 (40kA, 3P, 1000VDC)	2
DC Isolator	EKD6-DB32-4S (4P, 32A)	2
DC Fuse with Link	EKF1-10XPVH-10-1P (Max 10A 1000VDC)	10
PG connector	PG9 (4-9mm ²)	14
MC4 connector	PV-EK03 (6mm ²)	7
	PV-EK01 (6mm ²)	7
Ground connector	PG9 (4-9mm ²)	1



6 String Input 2 String Output DC 1000V

DC Isolator Switch Box

Model	EKDBS-PV6/2-IFS-1000	Quantity
Enclosure of Box	HA-26 ways	1
DC SPD	EKU5-T2-40PV-3M1000 (40kA, 3P, 1000VDC)	2
DC Isolator	EKD6-DB32-4S (4P, 32A)	2
DC Fuse with Link	EKF1-10XPVH-10-1P (Max 5A 1000VDC)	12
PG connector	PG9 (4-9mm ²)	16
MC4 connector	PV-EK03 (6mm ²)	8
	PV-EK01 (6mm ²)	8
Ground connector	PG9 (4-9mm ²)	1

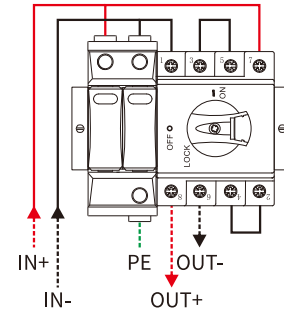


Solar DC Combiner Box

1 String Input 1 String Output DC 600V

DC Isolator Switch Box

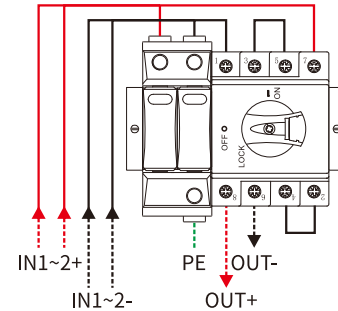
Model	EKDBS-PV1/1-ISM-600	Quantity
Enclosure of Box	HA-8 ways	1
DC SPD	EKU5-T2-40PV-2M600 (40kA, 2P, 600VDC)	1
DC Isolator	EKD6-DB32-4S (4P, 32A)	1
MC4 connector	PV-EK03 (6mm ²)	2
	PV-EK01 (6mm ²)	2
Ground connector	PG9 (4-9mm ²)	1



2 String Input 1 String Output DC 600V

DC Isolator Switch Box

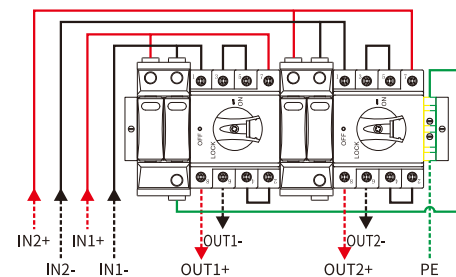
Model	EKDBS-PV2/1-ISM-600	Quantity
Enclosure of Box	HA-8 ways	1
DC SPD	EKU5-T2-40PV-2M600 (40kA, 2P, 600VDC)	1
DC Isolator	EKD6-DB32-4S (4P, 32A)	1
MC4 connector (input & output)	PV-EK03 (6mm ²)	3
	PV-EK01 (6mm ²)	3
Ground connector	PG9 (4-9mm ²)	1



2 String Input 2 String Output DC 600V

DC Isolator Switch Box

Model	EKDBS-PV2/2-ISM-600	Quantity
Enclosure of Box	HA-8 ways	1
DC SPD	EKU5-T2-40PV-2M600 (40kA, 2P, 600VDC)	1
DC Isolator	EKD6-DB32-4S (4P, 32A)	1
MC4 connector (input & output)	PV-EK03 (6mm ²)	4
	PV-EK01 (6mm ²)	4
Ground connector	PG9 (4-9mm ²)	1

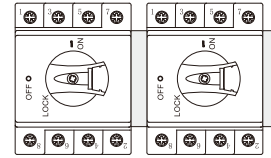


Solar DC Combiner Box

2/4 String Input 2/4 String Output DC 1000V

DC Isolator Switch Box

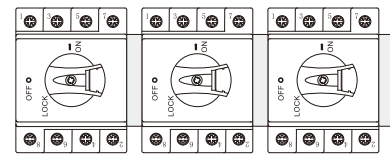
Model	EKDBS-PV2/2-I-1000	Quantity
Enclosure of Box	HA-8 ways	1
DC Isolator	EKD6-DB32 (4P, 32A)	2



3/6 String Input 3/6 String Output DC 1000V

DC Isolator Switch Box

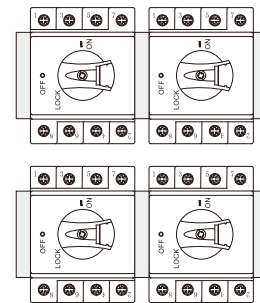
Model	EKDBS-PV3/3-I-1000	Quantity
Enclosure of Box	HA-12 ways	1
DC Isolator	EKD6-DB32 (4P, 32A)	3



4 String Input 4 String Output DC 1000V

DC Isolator Switch Box

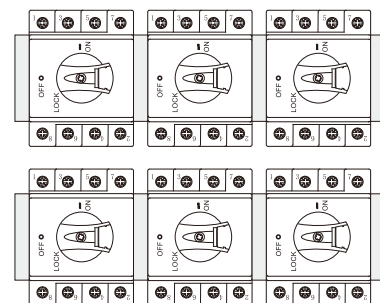
Model	EKDBS-PV4/4-I-1000	Quantity
Enclosure of Box	HA-26 ways	1
DC Isolator	EKD6-DB32-4S (4P, 32A)	4



6 String Input 6 String Output DC 1000V

DC Isolator Switch Box

Model	EKDBS-PV6/6-I-1000	Quantity
Enclosure of Box	HA-26 ways	1
DC Isolator	EKD6-DB32-4S (4P, 32A)	6

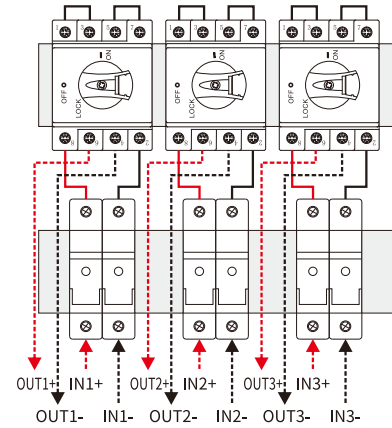


Solar DC Combiner Box

3 String Input 3 String Output DC 1000V

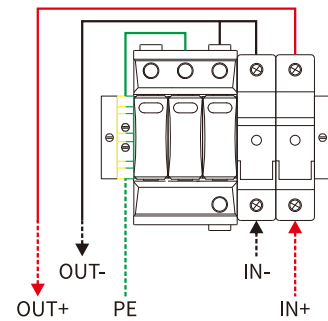
DC Isolator Switch Box

Model	EKDBS-PV2/2-ISM-600	Quantity
Enclosure of Box	HA-26 ways	1
DC Isolator	EKD6-DB32-4S (4P, 32A)	3
DC Fuse with Link	EKF1-10XPVH-10-1P (Max 32A 1000VDC)	6



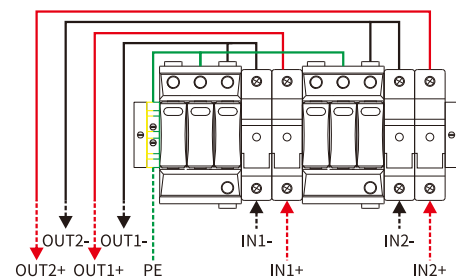
1 String Input 1 String Output DC 1000V

Model	EKDBS-PV1/1-FSM-1000	Quantity
Enclosure of Box	HA-8 ways	1
DC SPD	EKU5-T2-40PV-3M1000 (40kA, 3P, 1000VDC)	1
DC Fuse with Link	EKF1-10XPVH-10-1P (Max 32A 1000VDC)	2
MC4 connector	PV-EK03 (6mm ²)	2
	PV-EK01 (6mm ²)	2
Ground connector	PG9 (4-9mm ²)	1



2 String Input 2 String Output DC 1000V

Model	EKDBS-PV2/2-FSM-1000	Quantity
Enclosure of Box	HA-12 ways	1
DC SPD	EKU5-T2-40PV-3M1000 (40kA, 3P, 1000VDC)	2
DC Fuse with Link	EKF1-10XPVH-10-1P (Max 32A 1000VDC)	4
MC4 connector	PV-EK03 (6mm ²)	4
	PV-EK01 (6mm ²)	4
Ground connector	PG9 (4-9mm ²)	1

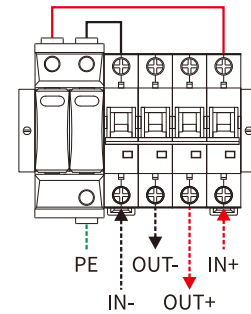


Solar DC Combiner Box

1 String Input 1 String Output DC 600V

DC MCB Breaker Box

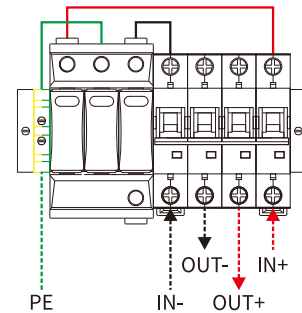
Model	EKDBS-PV1/1-BS-600	Quantity
Enclosure of Box	HA-8 ways	1
DC SPD	EKU5-T2-40PV-2M600 (40kA, 2P, 600VDC)	1
DC MCB	EKM1-63-432 (4P, 1000VDC, 32A)	1
PG connector	PG9 (4-9mm ²)	4
MC4 connector	PV-EK03 (6mm ²)	2
	PV-EK01 (6mm ²)	2
Ground connector	PG9 (4-9mm ²)	1



1 String Input 1 String Output DC 1000V

DC MCB Breaker Box

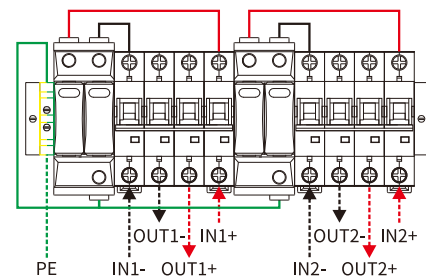
Model	EKDBS-PV1/1-BS-1000	Quantity
Enclosure of Box	HA-8 ways	1
DC SPD	EKU5-T2-40PV-3M1000 (40kA, 3P, 1000VDC)	1
DC MCB	EKM1-63-432 (4P, 1000VDC, 32A)	1
PG connector	PG9 (4-9mm ²)	4
MC4 connector	PV-EK03 (6mm ²)	2
	PV-EK01 (6mm ²)	2
Ground connector	PG9 (4-9mm ²)	1



2 String Input 2 String Output DC 600V

DC MCB Breaker Box

Model	EKDBS-PV1/1-BS-1000	Quantity
Enclosure of Box	HA-18 ways	1
DC SPD	EKU5-T2-40PV-2M600 (40kA, 2P, 600VDC)	2
DC MCB	EKM1-63-432 (4P, 1000VDC, 32A)	2
PG connector	PG9 (4-9mm ²)	8
MC4 connector	PV-EK03 (6mm ²)	4
	PV-EK01 (6mm ²)	4
Ground connector	PG9 (4-9mm ²)	1

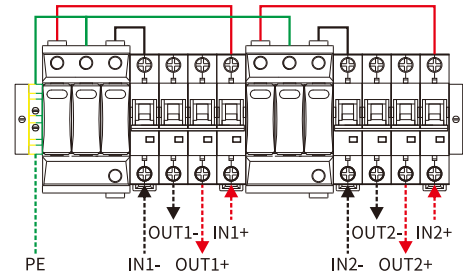


Solar DC Combiner Box

2 String Input 2 String Output DC 1000V

DC MCB Breaker Box

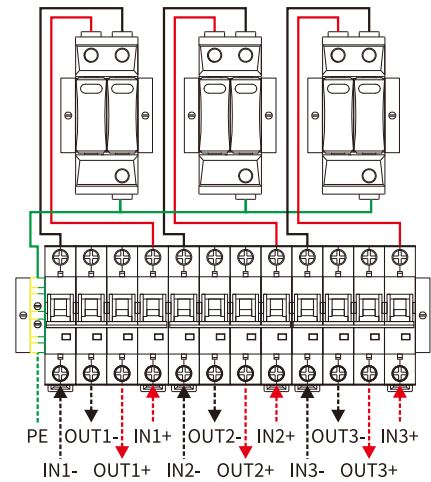
Model	EKDBS-PV2/2-BS-1000	Quantity
Enclosure of Box	HA-18 ways	1
DC SPD	EKU5-T2-40PV-3M1000 (40kA, 3P, 1000VDC)	2
DC MCB	EKM1-63-432 (4P, 1000VDC, 32A)	2
PG connector	PG9 (4-9mm ²)	8
MC4 connector	PV-EK03 (6mm ²)	4
	PV-EK01 (6mm ²)	4
Ground connector	PG9 (4-9mm ²)	1



3 String Input 3 String Output DC 600V

DC MCB Breaker Box

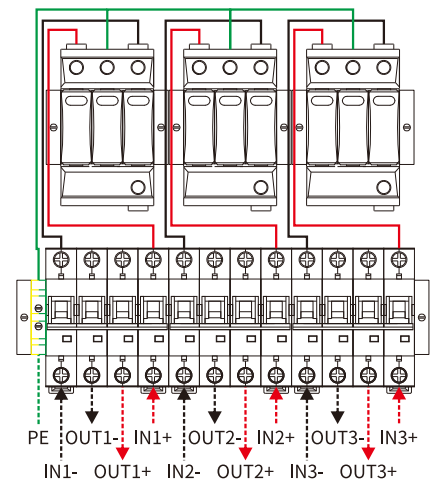
Model	EKDBS-PV3/3-BS-600	Quantity
Enclosure of Box	HA-26 ways	1
DC SPD	EKU5-T2-40PV-2M600 (40kA, 2P, 600VDC)	3
DC MCB	EKM1-63-432 (4P, 1000VDC, 32A)	3
PG connector	PG9 (4-9mm ²)	12
MC4 connector	PV-EK03 (6mm ²)	6
	PV-EK01 (6mm ²)	6
Ground connector	PG9 (4-9mm ²)	1



3 String Input 3 String Output DC 1000V

DC MCB Breaker Box

Model	EKDBS-PV3/3-BS-1000	Quantity
Enclosure of Box	HA-26 ways	1
DC SPD	EKU5-T2-40PV-3M1000 (40kA, 3P, 1000VDC)	3
DC MCB	EKM1-63-432 (4P, 1000VDC, 32A)	3
PG connector	PG9 (4-9mm ²)	12
MC4 connector	PV-EK03 (6mm ²)	6
	PV-EK01 (6mm ²)	6
Ground connector	PG9 (4-9mm ²)	1

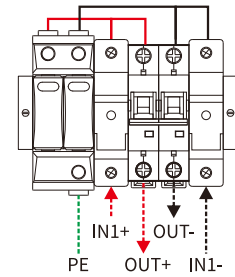


Solar DC Combiner Box

1 String Input 1 String Output DC 500V

DC MCB Breaker Box

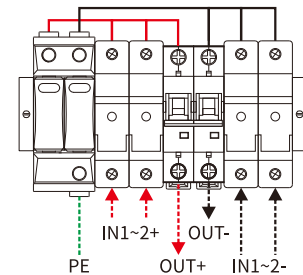
Model	EKDBS-PV1/1-FBS-500	Quantity
Enclosure of Box	HA-8 ways	1
DC SPD	EKU5-T2-40PV-2M600(40kA, 2P, 600VDC)	1
DC MCB	EKM1-63-232 (2P, 500VDC, 32A)	1
DC Fuse with Link	EKF1-10XPVH-10-1P(Max 32A 1000VDC)	1
PG connector	PG9 (4-9mm ²)	4
MC4 connector	PV-EK03 (6mm ²)	2
	PV-EK01 (6mm ²)	2
Ground connector	PG9 (4-9mm ²)	1



2 String Input 1 String Output DC 500V

DC MCB Breaker Box

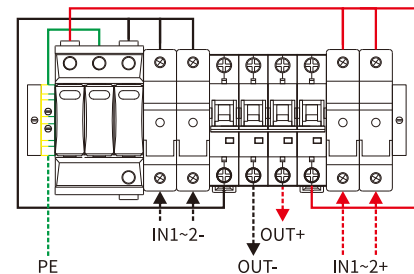
Model	EKDBS-PV2/1-FBS-600	Quantity
Enclosure of Box	HA-12 ways	1
DC SPD	EKU5-T2-40PV-2M600(40kA, 2P, 600VDC)	1
DC MCB	EKM1-63-232 (2P, 500VDC, 32A)	1
DC Fuse with Link	EKF1-10XPVH-10-1P(Max 15A 1000VDC)	4
PG connector	PG9 (4-9mm ²)	4
	PG21 (13-18mm)	1
MC4 connector	PV-EK03 (6mm ²)	3
	PV-EK01 (6mm ²)	3
Ground connector	PG9 (4-9mm ²)	1



2 String Input 1 String Output DC 1000V

DC MCB Breaker Box

Model	EKDBS-PV2/1-FBS-1000	Quantity
Enclosure of Box	HA-12 ways	1
DC SPD	EKU5-T2-40PV-3M1000(40kA, 3P, 1000VDC)	1
DC MCB	EKM1-63-432 (4P, 1000VDC, 32A)	1
DC Fuse with Link	EKF1-10XPVH-10-1P(Max 15A 1000VDC)	4
PG connector	PG9 (4-9mm ²)	4
	PG21 (13-18mm)	1
MC4 connector	PV-EK03 (6mm ²)	3
	PV-EK01 (6mm ²)	3
Ground connector	PG9 (4-9mm ²)	1

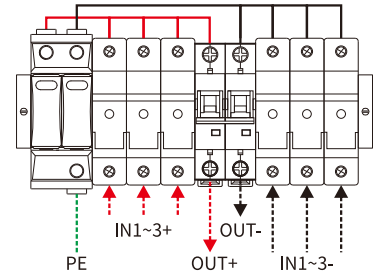


Solar DC Combiner Box

3 String Input 1 String Output DC 500V

DC MCB Breaker Box

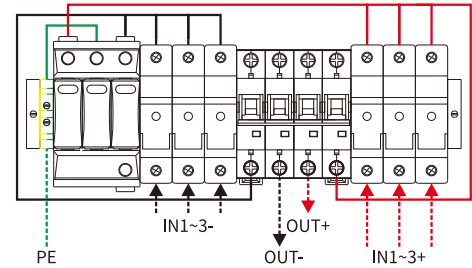
Model	EKDBS-PV3/1-FBS-500	Quantity
Enclosure of Box	HA-12 ways	1
DC SPD	EKU5-T2-40PV-2M600 (40kA, 2P, 600VDC)	1
DC MCB	EKM1-63-263 (2P, 500VDC, 63A)	1
DC Fuse with Link	EKF1-10XPVH-10-1P (Max 20A 1000VDC)	6
PG connector	PG9 (4-9mm ²)	6
	PG21 (13-18mm)	1
MC4 connector	PV-EK03 (6mm ²)	4
	PV-EK01 (6mm ²)	4
Ground connector	PG9 (4-9mm ²)	1



3 String Input 1 String Output DC 1000V

DC MCB Breaker Box

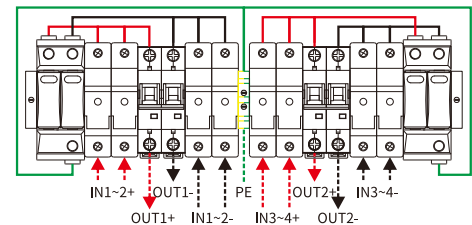
Model	EKDBS-PV3/1-FBS-1000	Quantity
Enclosure of Box	HA-12 ways	1
DC SPD	EKU5-T2-40PV-3M1000 (40kA, 3P, 1000VDC)	1
DC MCB	EKM1-63-463 (4P, 1000VDC, 63A)	1
DC Fuse with Link	EKF1-10XPVH-10-1P (Max 20A 1000VDC)	6
PG connector	PG9 (4-9mm ²)	6
	PG21 (13-18mm ²)	1
MC4 connector	PV-EK03 (6mm ²)	4
	PV-EK01 (6mm ²)	4
Ground connector	PG9 (4-9mm ²)	1



4 String Input 2 String Output DC 500V

DC MCB Breaker Box

Model	EKDBS-PV4/2-FBS-500	Quantity
Enclosure of Box	HA-18 ways	1
DC SPD	EKU5-T2-40PV-2M600 (40kA, 2P, 600VDC)	2
DC MCB	EKM1-63-232 (2P, 500VDC, 32A)	2
DC Fuse with Link	EKF1-10XPVH-10-1P (Max 15A 1000VDC)	8
PG connector	PG9 (4-9mm ²)	8
	PG21 (13-18mm ²)	2
MC4 connector	PV-EK03 (6mm ²)	6
	PV-EK01 (6mm ²)	6
Ground connector	PG9 (4-9mm ²)	1

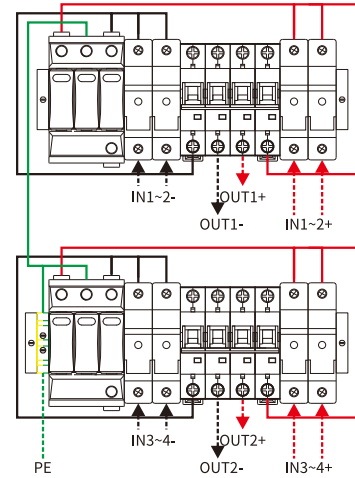


Solar DC Combiner Box

4 String Input 2 String Output DC 1000V

DC MCB Breaker Box

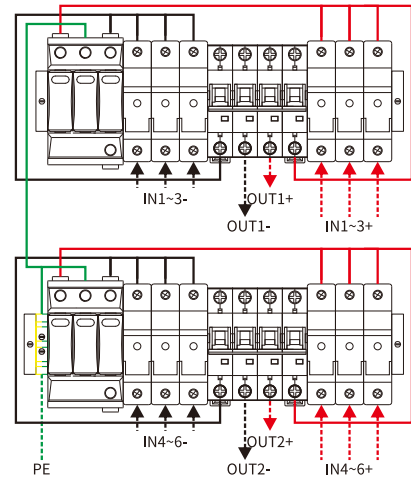
Model	EKDBS-PV4/2-FBS-1000	Quantity
Enclosure of Box	HA-26 ways	1
DC SPD	EKU5-T2-40PV-3M1000 (40kA, 3P, 1000VDC)	2
DC MCB	EKM1-63-432 (4P, 1000VDC, 32A)	2
DC Fuse with Link	EKF1-10XPVH-10-1P (Max 15A 1000VDC)	8
PG connector	PG9 (4-9mm ²)	8
	PG21 (13-18mm ²)	2
MC4 connector	PV-EK03 (6mm ²)	6
	PV-EK01 (6mm ²)	6
Ground connector	PG9 (4-9mm ²)	1



6 String Input 2 String Output DC 1000V

DC MCB Breaker Box

Model	EKDBS-PV2/1-FBS-1000	Quantity
Enclosure of Box	HA-26 ways	1
DC SPD	EKU5-T2-40PV-3M1000 (40kA, 3P, 1000VDC)	2
DC MCB	EKM1-63-463 (4P, 1000VDC, 63A)	2
DC Fuse with Link	EKF1-10XPVH-10-1P (Max 20A 1000VDC)	12
PG connector	PG9 (4-9mm ²)	12
	PG21 (13-18mm ²)	2
MC4 connector	PV-EK03 (6mm ²)	8
	PV-EK01 (6mm ²)	8
Ground connector	PG9 (4-9mm ²)	1





Overview

The EKDBT series photovoltaic DC combiner box is a metal casing with an IP65 protection level. It supports the merging of the DC inputs of up to 24 photovoltaic cell module strings into one or more outputs. It is suitable for residential, commercial, and Industrial photovoltaic power generation systems operating under 1000V, 1500V DC voltage.

This series of products integrates short-circuit and over-voltage protection devices such as DC circuit breakers, fuses, isolator switches, surge protectors, etc., which simplifies the input wiring of DC distribution cabinets and inverters, ensuring the safety of the photovoltaic power generation system, reliable operation.

Here we only list some of the combiner box configuration types on the market. If there are special needs, they can be customized according to the user's needs.

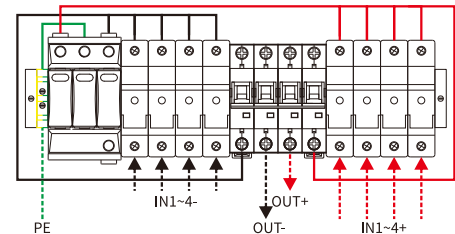
Model Preparation Meaning

Code name	Meaning	Code name	Meaning
①	ETEK	④	String in/String out: 4/1, 4/2, 6/1, 6/2, 8/1, 8/2, 10/1, 12/1, 12/2, 16/1, 18/1, 20/1, 24/1
②	DBT: metal box	⑤	Blank: without F: Fuse M: MC4 I: Isolator/DC Load Disconnecter B: Breaker C: Cable Gland S: SPD
③	PV: General photovoltaic sites PVZ: Photovoltaic power station	⑥	1000: 1000V 1500: 1500V

4 String Input 1 String Output DC 1000V

DC MCB Breaker Box

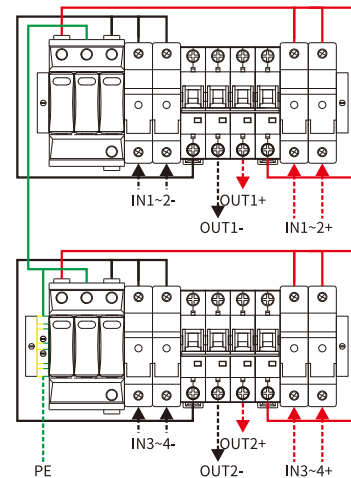
Model	EKDBT-PV4/1-FBS-1000	Quantity
Enclosure of Box	440×400×180mm	1
DC SPD	EKU5-T2-40PV-3M1000 (40kA, 3P, 1000VDC)	1
DC MCB	EKM1-63-463 (4P, 1000VDC, 63A)	1
DC Fuse with Link	EKF1-10XPVH-10-1P (Max 15A 1000VDC)	8
PG connector	PG9 (4-9mm ²)	8
	PG21 (13-18mm ²)	2
MC4 connector	PV-EK03 (6mm ²)	5
	PV-EK01 (6mm ²)	5
Ground connector	PG9 (4-9mm ²)	1



4 String Input 2 String Output DC 1000V

DC MCB Breaker Box

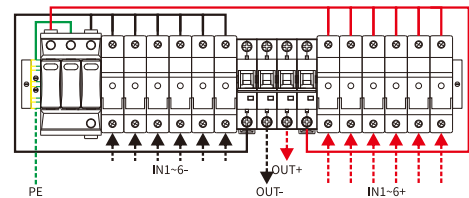
Model	EKDBT-PV4/2-FBS-1000	Quantity
Enclosure of Box	440×400×180mm	1
DC SPD	EKU5-T2-40PV-3M1000 (40kA, 3P, 1000VDC)	2
DC MCB	EKM1-63-432 (4P, 1000VDC, 32A)	2
DC Fuse with Link	EKF1-10XPVH-10-1P (Max 15A 1000VDC)	8
PG connector	PG9 (4-9mm ²)	8
	PG21 (13-18mm ²)	2
MC4 connector	PV-EK03 (6mm ²)	6
	PV-EK01 (6mm ²)	6
Ground connector	PG9 (4-9mm ²)	1



6 String Input 1 String Output DC 1000V

DC MCB Breaker Box

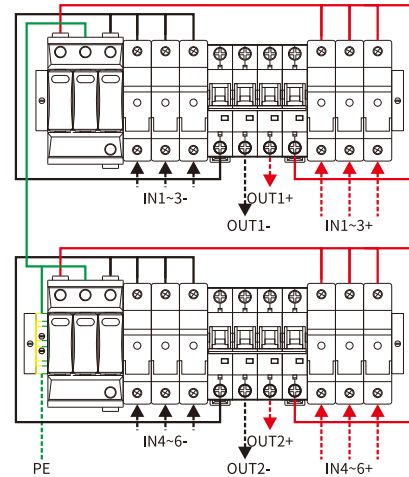
Model	EKDBT-PV6/1-FBS-1000	Quantity
Enclosure of Box	440×400×180mm	1
DC SPD	EKU5-T2-40PV-3M1000 (40kA, 3P, 1000VDC)	1
DC MCB	EKM1-63-463 (4P, 1000VDC, 63A)	1
DC Fuse with Link	EKF1-10XPVH-10-1P (Max 10A 1000VDC)	12
PG connector	PG9 (4-9mm ²)	12
	PG21 (13-18mm ²)	2
MC4 connector	PV-EK03 (6mm ²)	7
	PV-EK01 (6mm ²)	7
Ground connector	PG9 (4-9mm ²)	1



6 String Input 2 String Output DC 1000V

DC MCB Breaker Box

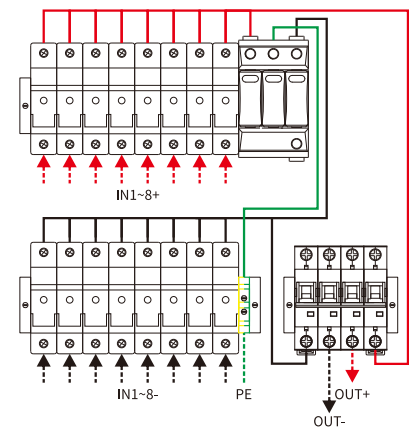
Model	EKDBT-PV6/2-FBS-1000	Quantity
Enclosure of Box	440×400×180mm	1
DC SPD	EKU5-T2-40PV-3M1000 (40kA, 3P, 1000VDC)	2
DC MCB	EKM1-63-463 (4P, 1000VDC, 63A)	2
DC Fuse with Link	EKF1-10XPVH-10-1P (Max 20A 1000VDC)	12
PG connector	PG9 (4-9mm ²)	12
	PG21 (13-18mm ²)	2
MC4 connector	PV-EK03 (6mm ²)	8
	PV-EK01 (6mm ²)	8
Ground connector	PG9 (4-9mm ²)	1



8 String Input 1 String Output DC 1000V

DC MCB Breaker Box

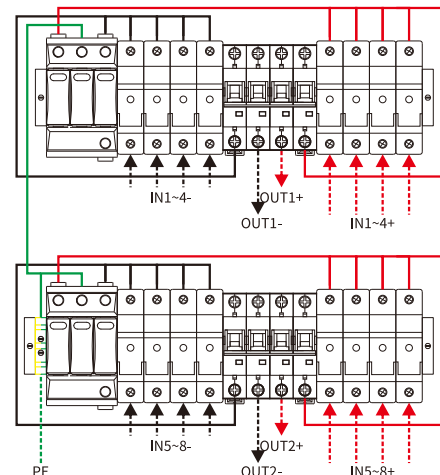
Model	EKDBT-PV8/1-FBS-1000	Quantity
Enclosure of Box	440×400×180mm	1
DC SPD	EKU5-T2-40PV-3M1000 (40kA, 3P, 1000VDC)	1
DC MCB	EKM1-63-463 (4P, 1000VDC, 63A)	1
DC Fuse with Link	EKF1-10XPVH-10-1P (Max 8A 1000VDC)	16
PG connector	PG9 (4-9mm ²)	16
	PG21 (13-18mm ²)	2
MC4 connector	PV-EK03 (6mm ²)	9
	PV-EK01 (6mm ²)	9
Ground connector	PG9 (4-9mm ²)	1



8 String Input 2 String Output DC 1000V

DC MCB Breaker Box

Model	EKDBT-PV8/2-FBS-1000	Quantity
Enclosure of Box	440×400×180mm	1
DC SPD	EKU5-T2-40PV-3M1000 (40kA, 3P, 1000VDC)	2
DC MCB	EKM1-63-463 (4P, 1000VDC, 63A)	2
DC Fuse with Link	EKF1-10XPVH-10-1P (Max 15A 1000VDC)	16
PG connector	PG9 (4-9mm ²)	16
	PG21 (13-18mm ²)	2
MC4 connector	PV-EK03 (6mm ²)	10
	PV-EK01 (6mm ²)	10
Ground connector	PG9 (4-9mm ²)	1

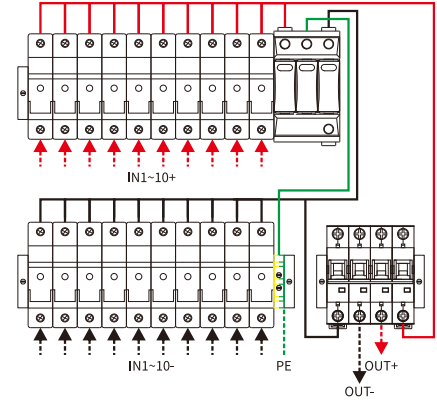


Solar DC Combiner Box

10 String Input 1 String Output DC 1000V

DC MCB Breaker Box

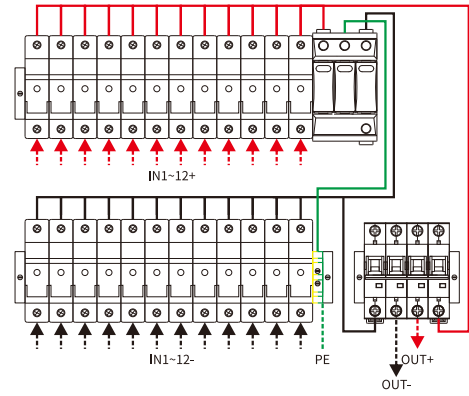
Model	EKDBT-PV10/1-FBS-1000	Quantity
Enclosure of Box	440×400×180mm	1
DC SPD	EKU5-T2-40PV-3M1000 (40kA, 3P, 1000VDC)	1
DC MCB	EKM1-63-463 (4P, 1000VDC, 63A)	1
DC Fuse with Link	EKF1-10XPVH-10-1P (Max 6A 1000VDC)	20
PG connector	PG9 (4-9mm ²)	20
	PG21 (13-18mm ²)	2
MC4 connector	PV-EK03 (6mm ²)	11
	PV-EK01 (6mm ²)	11
Ground connector	PG9 (4-9mm ²)	1



12 String Input 1 String Output DC 1000V

DC MCB Breaker Box

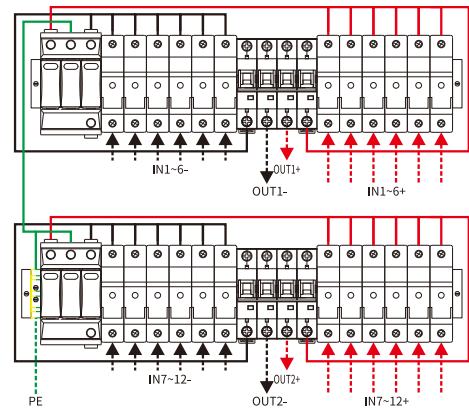
Model	EKDBT-PV12/1-FBS-1000	Quantity
Enclosure of Box	440×400×180mm	1
DC SPD	EKU5-T2-40PV-3M1000 (40kA, 3P, 1000VDC)	1
DC MCB	EKM1-63-463 (4P, 1000VDC, 63A)	1
DC Fuse with Link	EKF1-10XPVH-10-1P (Max 5A 1000VDC)	24
PG connector	PG9 (4-9mm ²)	24
	PG21 (13-18mm ²)	2
MC4 connector	PV-EK03 (6mm ²)	13
	PV-EK01 (6mm ²)	13
Ground connector	PG9 (4-9mm ²)	1



12 String Input 2 String Output DC 1000V

DC MCB Breaker Box

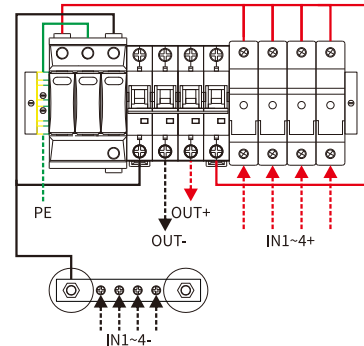
Model	EKDBT-PV12/2-FBS-1000	Quantity
Enclosure of Box	440×400×180mm	1
DC SPD	EKU5-T2-40PV-3M1000 (40kA, 3P, 1000VDC)	2
DC MCB	EKM1-63-463 (4P, 1000VDC, 63A)	2
DC Fuse with Link	EKF1-10XPVH-10-1P (Max 10A 1000VDC)	24
PG connector	PG9 (4-9mm ²)	24
	PG21 (13-18mm ²)	2
MC4 connector	PV-EK03 (6mm ²)	14
	PV-EK01 (6mm ²)	14
Ground connector	PG9 (4-9mm ²)	1



4 String Input 1 String Output DC 1000V (Economy Type)

DC MCB Breaker Box

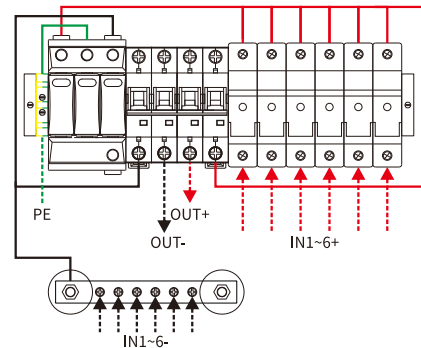
Model	EKDBT-PV4/1-FBS-1000	Quantity
Enclosure of Box	440×400×180mm	1
DC SPD	EKU5-T2-40PV-3M1000 (40kA, 3P, 1000VDC)	2
DC MCB	EKM1-63-432 (4P, 1000VDC, 32A)	2
DC Fuse with Link	EKF1-10XPVH-10-1P (Max 15A 1000VDC)	4
PG connector	PG9 (4-9mm ²)	8
	PG21 (13-18mm ²)	2
MC4 connector	PV-EK03 (6mm ²)	5
	PV-EK01 (6mm ²)	5
Ground connector	PG9 (4-9mm ²)	1



6 String Input 1 String Output DC 1000V (Economy Type)

DC MCB Breaker Box

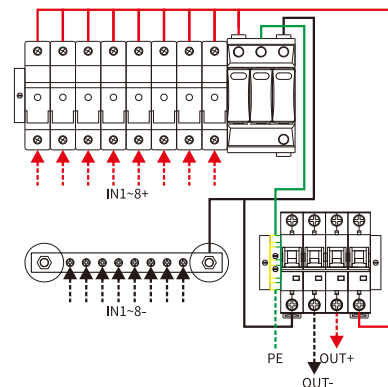
Model	EKDBT-PV6/1-FBS-1000	Quantity
Enclosure of Box	440×400×180mm	1
DC SPD	EKU5-T2-40PV-3M1000 (40kA, 3P, 1000VDC)	1
DC MCB	EKM1-63-463 (4P, 1000VDC, 63A)	1
DC Fuse with Link	EKF1-10XPVH-10-1P (Max 10A 1000VDC)	6
PG connector	PG9 (4-9mm ²)	12
	PG21 (13-18mm ²)	2
MC4 connector	PV-EK03 (6mm ²)	7
	PV-EK01 (6mm ²)	7
Ground connector	PG9 (4-9mm ²)	1



8 String Input 1 String Output DC 1000V (Economy Type)

DC MCB Breaker Box

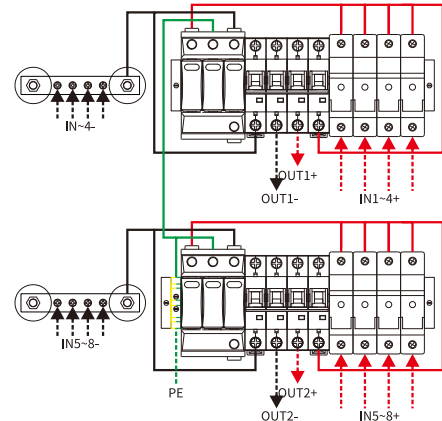
Model	EKDBT-PV8/1-FBS-1000	Quantity
Enclosure of Box	440×400×180mm	1
DC SPD	EKU5-T2-40PV-3M1000 (40kA, 3P, 1000VDC)	1
DC MCB	EKM1-63-463 (4P, 1000VDC, 63A)	1
DC Fuse with Link	EKF1-10XPVH-10-1P (Max 8A 1000VDC)	8
PG connector	PG9 (4-9mm ²)	16
	PG21 (13-18mm ²)	2
MC4 connector	PV-EK03 (6mm ²)	9
	PV-EK01 (6mm ²)	9
Ground connector	PG9 (4-9mm ²)	1



8 String Input 2 String Output DC 1000V (Economy Type)

DC MCB Breaker Box

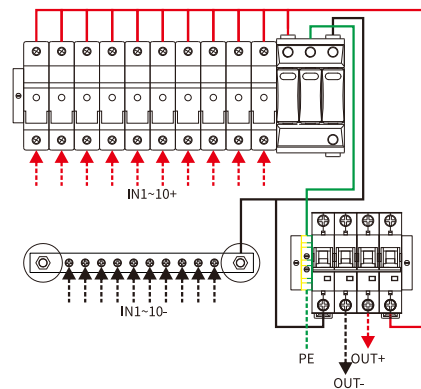
Model	EKDBT-PV8/2-FBS-1000	Quantity
Enclosure of Box	440×400×180mm	1
DC SPD	EKU5-T2-40PV-3M1000 (40kA, 3P, 1000VDC)	2
DC MCB	EKM1-63-463 (4P, 1000VDC, 63A)	2
DC Fuse with Link	EKF1-10XPVH-10-1P (Max 15A 1000VDC)	8
PG connector	PG9 (4-9mm ²)	16
	PG21 (13-18mm ²)	2
MC4 connector	PV-EK03 (6mm ²)	10
	PV-EK01 (6mm ²)	10
Ground connector	PG9 (4-9mm ²)	1



10 String Input 1 String Output DC 1000V (Economy Type)

DC MCB Breaker Box

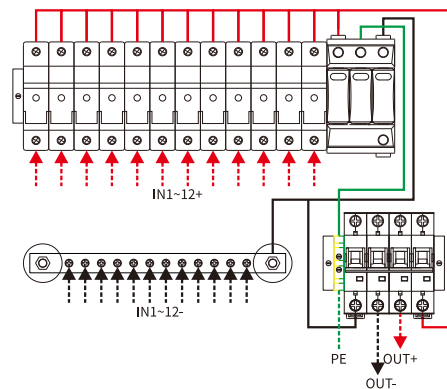
Model	EKDBT-PV10/1-FBS-1000	Quantity
Enclosure of Box	440×400×180mm	1
DC SPD	EKU5-T2-40PV-3M1000 (40kA, 3P, 1000VDC)	1
DC MCB	EKM1-63-463 (4P, 1000VDC, 63A)	1
DC Fuse with Link	EKF1-10XPVH-10-1P (Max 6A 1000VDC)	10
PG connector	PG9 (4-9mm ²)	20
	PG21 (13-18mm ²)	2
MC4 connector	PV-EK03 (6mm ²)	11
	PV-EK01 (6mm ²)	11
Ground connector	PG9 (4-9mm ²)	1



12 String Input 1 String Output DC 1000V (Economy Type)

DC MCB Breaker Box

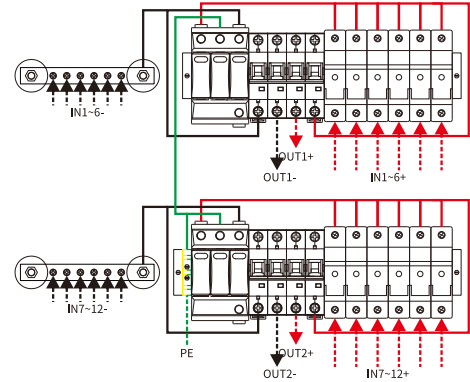
Model	EKDBT-PV12/1-FBS-1000	Quantity
Enclosure of Box	440×400×180mm	1
DC SPD	EKU5-T2-40PV-3M1000 (40kA, 3P, 1000VDC)	1
DC MCB	EKM1-63-463 (4P, 1000VDC, 63A)	1
DC Fuse with Link	EKF1-10XPVH-10-1P (Max 5A 1000VDC)	12
PG connector	PG9 (4-9mm ²)	24
	PG21 (13-18mm ²)	2
MC4 connector	PV-EK03 (6mm ²)	13
	PV-EK01 (6mm ²)	13
Ground connector	PG9 (4-9mm ²)	1



12 String Input 2 String Output DC 1000V (Economy Type)

DC MCB Breaker Box

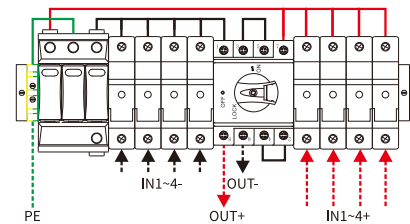
Model	EKDBT-PV12/2-FBS-1000	Quantity
Enclosure of Box	440×400×180mm	1
DC SPD	EKU5-T2-40PV-3M1000 (40kA, 3P, 1000VDC)	2
DC MCB	EKM1-63-463 (4P, 1000VDC, 63A)	2
DC Fuse with Link	EKF1-10XPVH-10-1P (Max 10A 1000VDC)	12
PG connector	PG9 (4-9mm ²)	24
	PG21 (13-18mm ²)	2
MC4 connector	PV-EK03 (6mm ²)	14
	PV-EK01 (6mm ²)	14
Ground connector	PG9 (4-9mm ²)	1



4 String Input 1 String Output DC 1000V

DC Isolator Switch Box

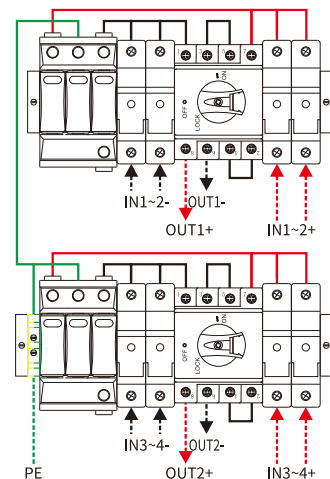
Model	EKDBT-PV4/1-IFS-1000	Quantity
Enclosure of Box	440×400×180mm	1
DC SPD	EKU5-T2-40PV-3M1000 (40kA, 3P, 1000VDC)	1
DC Isolator	EKD6-DB32-4S (4P, 32A)	1
DC Fuse with Link	EKF1-10XPVH-10-1P (Max 8A 1000VDC)	8
PG connector	PG9 (4-9mm ²)	8
	PG21 (13-18mm ²)	2
MC4 connector	PV-EK03 (6mm ²)	5
	PV-EK01 (6mm ²)	5
Ground connector	PG9 (4-9mm ²)	1



4 String Input 2 String Output DC 1000V

DC Isolator Switch Box

Model	EKDBT-PV4/2-IFS-1000	Quantity
Enclosure of Box	440×400×180mm	1
DC SPD	EKU5-T2-40PV-3M1000 (40kA, 3P, 1000VDC)	2
DC Isolator	EKD6-DB32-4S (4P, 32A)	2
DC Fuse with Link	EKF1-10XPVH-10-1P (Max 15A 1000VDC)	8
PG connector	PG9 (4-9mm ²)	8
	PG21 (13-18mm ²)	2
MC4 connector	PV-EK03 (6mm ²)	6
	PV-EK01 (6mm ²)	6
Ground connector	PG9 (4-9mm ²)	1

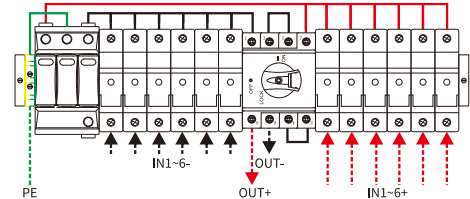


Solar DC Combiner Box

6 String Input 1 String Output DC 1000V

DC Isolator Switch Box

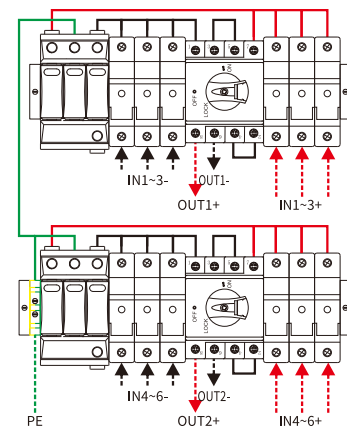
Model	EKDBT-PV6/1-IFS-1000	Quantity
Enclosure of Box	440×400×180mm	1
DC SPD	EKU5-T2-40PV-3M1000 (40kA, 3P, 1000VDC)	1
DC Isolator	EKD6-DB32-4S (4P, 32A)	1
DC Fuse with Link	EKF1-10XPVH-10-1P (Max 5A 1000VDC)	12
PG connector	PG9 (4-9mm ²)	12
	PG21 (13-18mm ²)	2
MC4 connector	PV-EK03 (6mm ²)	7
	PV-EK01 (6mm ²)	7
Ground connector	PG9 (4-9mm ²)	1



6 String Input 2 String Output DC 1000V

DC Isolator Switch Box

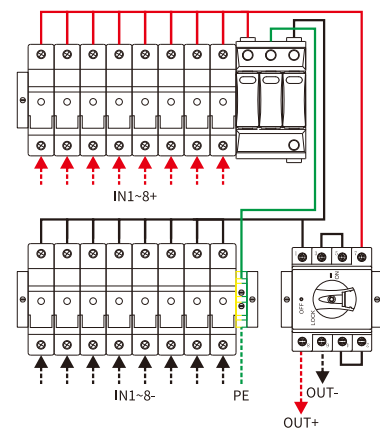
Model	EKDBT-PV6/2-IFS-1000	Quantity
Enclosure of Box	440×400×180mm	1
DC SPD	EKU5-T2-40PV-3M1000 (40kA, 3P, 1000VDC)	2
DC Isolator	EKD6-DB32-4S (4P, 32A)	2
DC Fuse with Link	EKF1-10XPVH-10-1P (Max 10A 1000VDC)	12
PG connector	PG9 (4-9mm ²)	12
	PG21 (13-18mm ²)	2
MC4 connector	PV-EK03 (6mm ²)	8
	PV-EK01 (6mm ²)	8
Ground connector	PG9 (4-9mm ²)	1



8 String Input 1 String Output DC 1000V

DC Isolator Switch Box

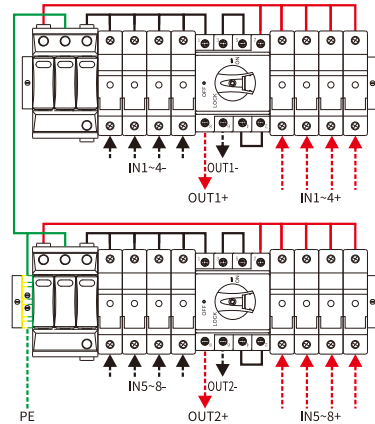
Model	EKDBT-PV8/1-IFS-1000	Quantity
Enclosure of Box	440×400×180mm	1
DC SPD	EKU5-T2-40PV-3M1000 (40kA, 3P, 1000VDC)	1
DC Isolator	EKD6-DB32-4S (4P, 32A)	1
DC Fuse with Link	EKF1-10XPVH-10-1P (Max 4A 1000VDC)	16
PG connector	PG9 (4-9mm ²)	16
	PG21 (13-18mm ²)	2
MC4 connector	PV-EK03 (6mm ²)	9
	PV-EK01 (6mm ²)	9
Ground connector	PG9 (4-9mm ²)	1



8 String Input 2 String Output DC 1000V

DC Isolator Switch Box

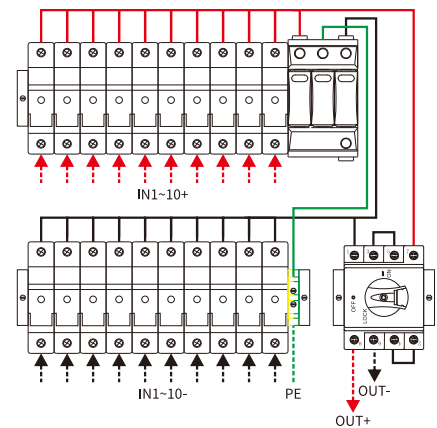
Model	EKDBT-PV8/2-IFS-1000	Quantity
Enclosure of Box	440×400×180mm	1
DC SPD	EKU5-T2-40PV-3M1000 (40kA, 3P, 1000VDC)	2
DC Isolator	EKD6-DB32-4S (4P, 32A)	2
DC Fuse with Link	EKF1-10XPVH-10-1P (Max 8A 1000VDC)	16
PG connector	PG9 (4-9mm ²)	16
	PG21 (13-18mm ²)	2
MC4 connector	PV-EK03 (6mm ²)	10
	PV-EK01 (6mm ²)	10
Ground connector	PG9 (4-9mm ²)	1



10 String Input 1 String Output DC 1000V

DC Isolator Switch Box

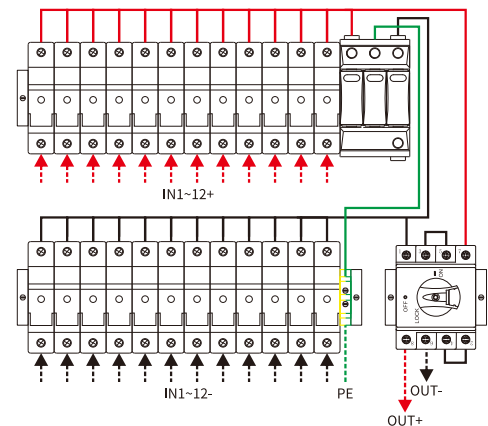
Model	EKDBT-PV10/1-IFS-1000	Quantity
Enclosure of Box	440×400×180mm	1
DC SPD	EKU5-T2-40PV-3M1000 (40kA, 3P, 1000VDC)	1
DC Isolator	EKD6-DB32-4S (4P, 32A)	1
DC Fuse with Link	EKF1-10XPVH-10-1P (Max 3A 1000VDC)	20
PG connector	PG9 (4-9mm ²)	20
	PG21 (13-18mm ²)	2
MC4 connector	PV-EK03 (6mm ²)	11
	PV-EK01 (6mm ²)	11
Ground connector	PG9 (4-9mm ²)	1



12 String Input 1 String Output DC 1000V

DC Isolator Switch Box

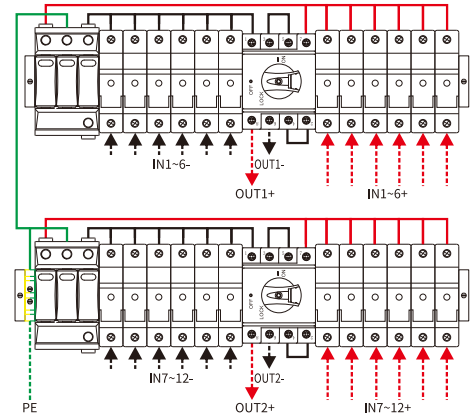
Model	EKDBT-PV12/1-IFS-1000	Quantity
Enclosure of Box	440×400×180mm	1
DC SPD	EKU5-T2-40PV-3M1000 (40kA, 3P, 1000VDC)	1
DC Isolator	EKD6-DB32-4S (4P, 32A)	1
DC Fuse with Link	EKF1-10XPVH-10-1P (Max 2A 1000VDC)	24
PG connector	PG9 (4-9mm ²)	24
	PG21 (13-18mm ²)	2
MC4 connector	PV-EK03 (6mm ²)	13
	PV-EK01 (6mm ²)	13
Ground connector	PG9 (4-9mm ²)	1



12 String Input 2 String Output DC 1000V

DC Isolator Switch Box

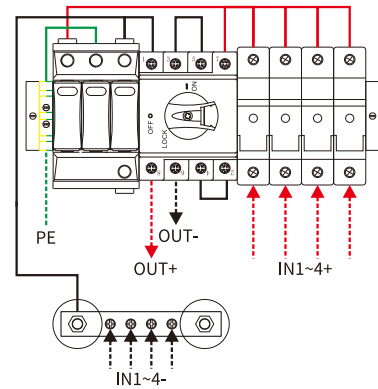
Model	EKDBT-PV12/2-IFS-1000	Quantity
Enclosure of Box	440×400×180mm	1
DC SPD	EKU5-T2-40PV-3M1000 (40kA, 3P, 1000VDC)	2
DC Isolator	EKD6-DB32-4S (4P, 32A)	2
DC Fuse with Link	EKF1-10XPVH-10-1P (Max 5A 1000VDC)	24
PG connector	PG9 (4-9mm ²)	24
	PG21 (13-18mm ²)	2
MC4 connector	PV-EK03 (6mm ²)	14
	PV-EK01 (6mm ²)	14
Ground connector	PG9 (4-9mm ²)	1



4 String Input 1 String Output DC 1000V (Economy Type)

DC Isolator Switch Box

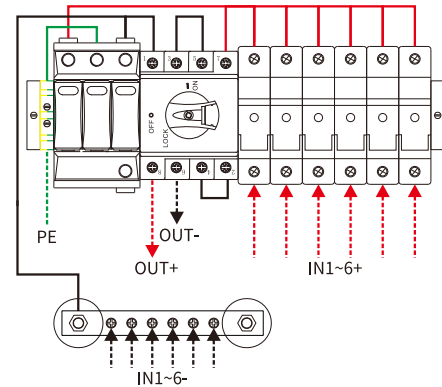
Model	EKDBT-PV4/1-IFS-1000	Quantity
Enclosure of Box	440×400×180mm	1
DC SPD	EKU5-T2-40PV-3M1000 (40kA, 3P, 1000VDC)	1
DC Isolator	EKD6-DB32-4S (4P, 32A)	1
DC Fuse with Link	EKF1-10XPVH-10-1P (Max 8A 1000VDC)	4
PG connector	PG9 (4-9mm ²)	8
	PG21 (13-18mm ²)	2
MC4 connector	PV-EK03 (6mm ²)	5
	PV-EK01 (6mm ²)	5
Ground connector	PG9 (4-9mm ²)	1



6 String Input 1 String Output DC 1000V (Economy Type)

DC Isolator Switch Box

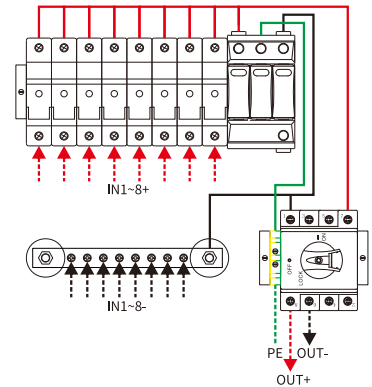
Model	EKDBT-PV6/1-IFS-1000	Quantity
Enclosure of Box	440×400×180mm	1
DC SPD	EKU5-T2-40PV-3M1000 (40kA, 3P, 1000VDC)	1
DC Isolator	EKD6-DB32-4S (4P, 32A)	1
DC Fuse with Link	EKF1-10XPVH-10-1P (Max 5A 1000VDC)	6
PG connector	PG9 (4-9mm ²)	12
	PG21 (13-18mm ²)	2
MC4 connector	PV-EK03 (6mm ²)	7
	PV-EK01 (6mm ²)	7
Ground connector	PG9 (4-9mm ²)	1



8 String Input 1 String Output DC 1000V (Economy Type)

DC Isolator Switch Box

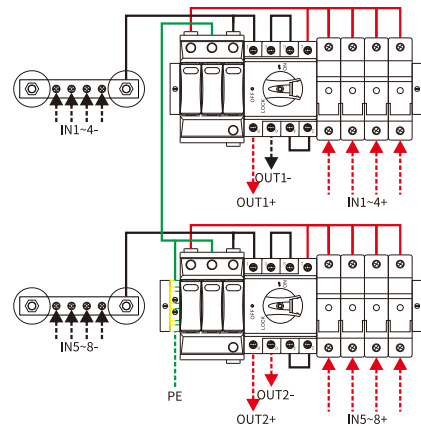
Model	EKDBT-PV8/1-IFS-1000	Quantity
Enclosure of Box	440×400×180mm	1
DC SPD	EKU5-T2-40PV-3M1000 (40kA, 3P, 1000VDC)	1
DC Isolator	EKD6-DB32-4S (4P, 32A)	1
DC Fuse with Link	EKF1-10XPVH-10-1P (Max 4A 1000VDC)	8
PG connector	PG9 (4-9mm ²)	16
	PG21 (13-18mm ²)	2
MC4 connector	PV-EK03 (6mm ²)	9
	PV-EK01 (6mm ²)	9
Ground connector	PG9 (4-9mm ²)	1



8 String Input 2 String Output DC 1000V (Economy Type)

DC Isolator Switch Box

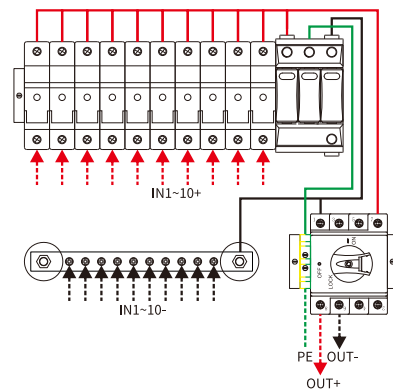
Model	EKDBT-PV8/2-IFS-1000	Quantity
Enclosure of Box	440×400×180mm	1
DC SPD	EKU5-T2-40PV-3M1000 (40kA, 3P, 1000VDC)	2
DC Isolator	EKD6-DB32-4S (4P, 32A)	2
DC Fuse with Link	EKF1-10XPVH-10-1P (Max 8A 1000VDC)	8
PG connector	PG9 (4-9mm ²)	16
	PG21 (13-18mm ²)	2
MC4 connector	PV-EK03 (6mm ²)	10
	PV-EK01 (6mm ²)	10
Ground connector	PG9 (4-9mm ²)	1



10 String Input 1 String Output DC 1000V (Economy Type)

DC Isolator Switch Box

Model	EKDBT-PV10/1-IFS-1000	Quantity
Enclosure of Box	440×400×180mm	1
DC SPD	EKU5-T2-40PV-3M1000(40kA, 3P, 1000VDC)	1
DC Isolator	EKD6-DB32-4S (4P, 32A)	1
DC Fuse with Link	EKF1-10XPVH-10-1P (Max 3A 1000VDC)	10
PG connector	PG9 (4-9mm ²)	20
	PG21 (13-18mm ²)	2
MC4 connector	PV-EK03 (6mm ²)	12
	PV-EK01 (6mm ²)	12
Ground connector	PG9 (4-9mm ²)	1

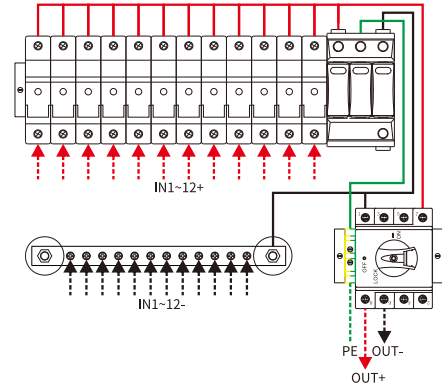


Solar DC Combiner Box

12 String Input 1 String Output DC 1000V (Economy Type)

DC Isolator Switch Box

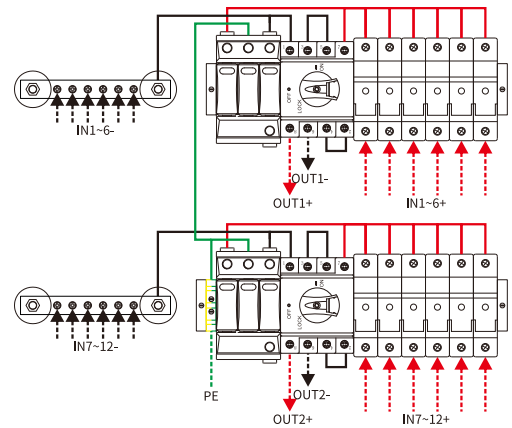
Model	EKDBT-PV12/1-IFS-1000	Quantity
Enclosure of Box	440×400×180mm	1
DC SPD	EKU5-T2-40PV-3M1000 (40kA, 3P, 1000VDC)	1
DC Isolator	EKD6-DB32-4S (4P, 32A)	1
DC Fuse with Link	EKF1-10XPVH-10-1P (Max 2A 1000VDC)	12
PG connector	PG9 (4-9mm ²)	24
	PG21 (13-18mm ²)	2
MC4 connector	PV-EK03 (6mm ²)	13
	PV-EK01 (6mm ²)	13
Ground connector	PG9 (4-9mm ²)	1



12 String Input 2 String Output DC 1000V (Economy Type)

DC Isolator Switch Box

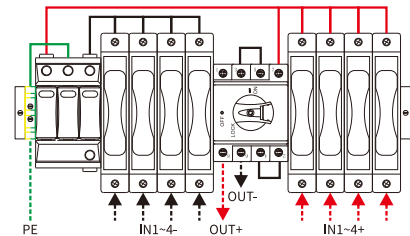
Model	EKDBT-PV12/2-IFS-1000	Quantity
Enclosure of Box	440×400×180mm	1
DC SPD	EKU5-T2-40PV-3M1000 (40kA, 3P, 1000VDC)	2
DC Isolator	EKD6-DB32-4S (4P, 32A)	2
DC Fuse with Link	EKF1-10XPVH-10-1P (Max 5A 1000VDC)	12
PG connector	PG9 (4-9mm ²)	24
	PG21 (13-18mm ²)	2
MC4 connector	PV-EK03 (6mm ²)	14
	PV-EK01 (6mm ²)	14
Ground connector	PG9 (4-9mm ²)	1



4 String Input 1 String Output DC 1500V

DC Isolator Switch Box

Model	EKDBT-PV4/1-IFS-1500	Quantity
Enclosure of Box	440×400×180mm	1
DC SPD	EKU5-T2-40PV-3M1500 (40kA, 3P, 1500VDC)	1
DC Isolator	EKD6-DB32-4S (4P, 32A)	1
DC Fuse with Link	EKF1-15PVH-10L-1P (Max 6A 1500VDC)	8
PG connector	PG9 (4-9mm ²)	8
	PG21 (13-18mm ²)	2
MC4 connector	PV-EK04 (6mm ²)	5
	PV-EK05 (6mm ²)	5
Ground connector	PG9 (4-9mm ²)	1

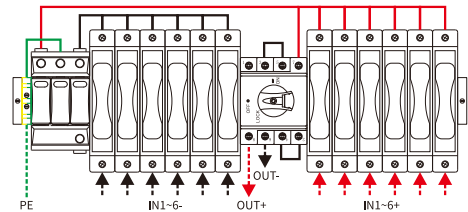


Solar DC Combiner Box

6 String Input 1 String Output DC 1500V

DC Isolator Switch Box

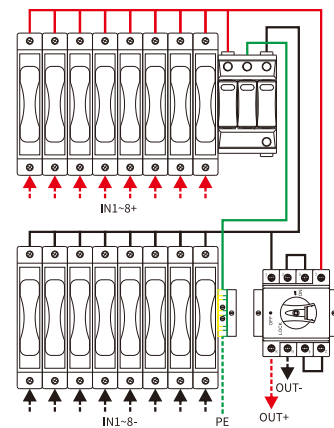
Model	EKDBT-PV6/1-IFS-1500	Quantity
Enclosure of Box	500×400×180mm	1
DC SPD	EKU5-T2-40PV-3M1500 (40kA, 3P, 1500VDC)	1
DC Isolator	EKD6-DB32-4S (4P, 32A)	1
DC Fuse with Link	EKF1-15PVH-10L-1P (Max 4A 1500VDC)	12
PG connector	PG9 (4-9mm ²)	12
	PG21 (13-18mm ²)	2
MC4 connector	PV-EK04 (6mm ²)	7
	PV-EK05 (6mm ²)	7
Ground connector	PG9 (4-9mm ²)	1



8 String Input 1 String Output DC 1500V

DC Isolator Switch Box

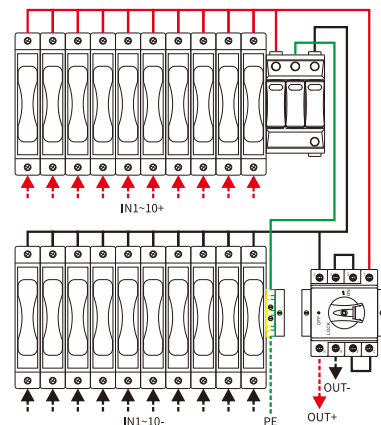
Model	EKDBT-PV8/1-IFS-1500	Quantity
Enclosure of Box	600×460×180mm	1
DC SPD	EKU5-T2-40PV-3M1500 (40kA, 3P, 1500VDC)	1
DC Isolator	EKD6-DB32-4S (4P, 32A)	1
DC Fuse with Link	EKF1-15PVH-10L-1P (Max 3A 1500VDC)	16
PG connector	PG9 (4-9mm ²)	16
	PG21 (13-18mm ²)	2
MC4 connector	PV-EK04 (6mm ²)	9
	PV-EK05 (6mm ²)	9
Ground connector	PG9 (4-9mm ²)	1



10 String Input 1 String Output DC 1500V

DC Isolator Switch Box

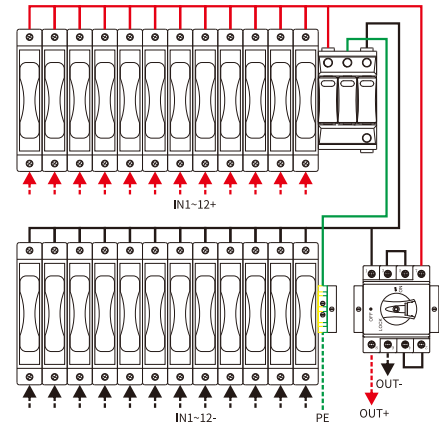
Model	EKDBT-PV10/1-IFS-1500	Quantity
Enclosure of Box	600×460×180mm	1
DC SPD	EKU5-T2-40PV-3M1500 (40kA, 3P, 1500VDC)	1
DC Isolator	EKD6-DB32-4S (4P, 32A)	1
DC Fuse with Link	EKF1-15PVH-10L-1P (Max 8A 1500VDC)	20
PG connector	PG9 (4-9mm ²)	20
	PG21 (13-18mm ²)	2
MC4 connector	PV-EK04 (6mm ²)	11
	PV-EK05 (6mm ²)	11
Ground connector	PG9 (4-9mm ²)	1



12 String Input 1 String Output DC 1500V

DC Isolator Switch Box

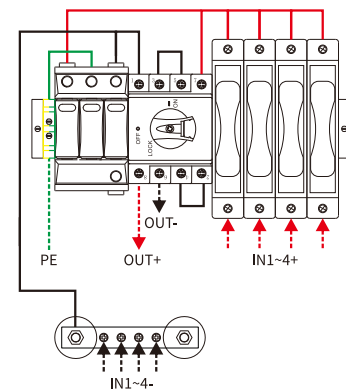
Model	EKDBT-PV12/1-IFS-1500	Quantity
Enclosure of Box	600×460×180mm	1
DC SPD	EKU5-T2-40PV-3M1500 (40kA, 3P, 1500VDC)	1
DC Isolator	EKD6-DB32-4S (4P, 32A)	1
DC Fuse with Link	EKF1-15PVH-10L-1P (Max 2A 1500VDC)	24
PG connector	PG9 (4-9mm ²)	24
	PG21 (13-18mm ²)	2
MC4 connector	PV-EK04 (6mm ²)	13
	PV-EK05 (6mm ²)	13
Ground connector	PG9 (4-9mm ²)	1



4 String Input 1 String Output DC 1500V (Economy Type)

DC Isolator Switch Box

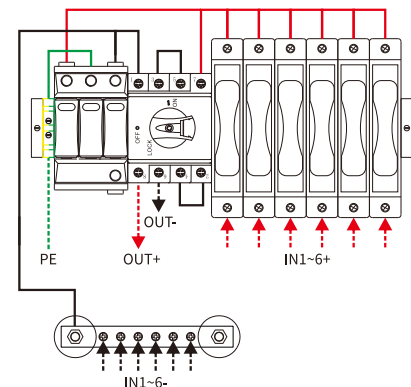
Model	EKDBT-PV4/1-IFS-1500	Quantity
Enclosure of Box	440×400×180mm	1
DC SPD	EKU5-T2-40PV-3M1500 (40kA, 3P, 1500VDC)	1
DC Isolator	EKD6-DB32-4S (4P, 32A)	1
DC Fuse with Link	EKF1-15PVH-10L-1P (Max 6A 1500VDC)	4
PG connector	PG9 (4-9mm ²)	8
	PG21 (13-18mm ²)	2
MC4 connector	PV-EK04 (6mm ²)	5
	PV-EK05 (6mm ²)	5
Ground connector	PG9 (4-9mm ²)	1



6 String Input 1 String Output DC 1500V (Economy Type)

DC Isolator Switch Box

Model	EKDBT-PV6/1-IFS-1500	Quantity
Enclosure of Box	500×400×180mm	1
DC SPD	EKU5-T2-40PV-3M1500 (40kA, 3P, 1500VDC)	1
DC Isolator	EKD6-DB32-4S (4P, 32A)	1
DC Fuse with Link	EKF1-15PVH-10L-1P (Max 4A 1500VDC)	6
PG connector	PG9 (4-9mm ²)	12
	PG21 (13-18mm ²)	2
MC4 connector	PV-EK04 (6mm ²)	7
	PV-EK05 (6mm ²)	7
Ground connector	PG9 (4-9mm ²)	1

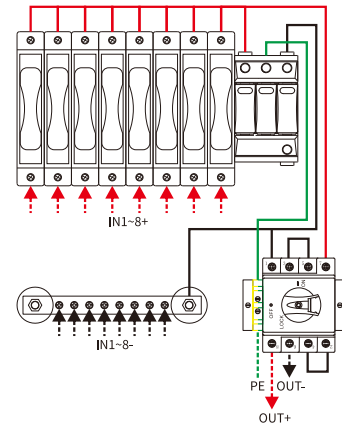


Solar DC Combiner Box

8 String Input 1 String Output DC 1500V (Economy Type)

DC Isolator Switch Box

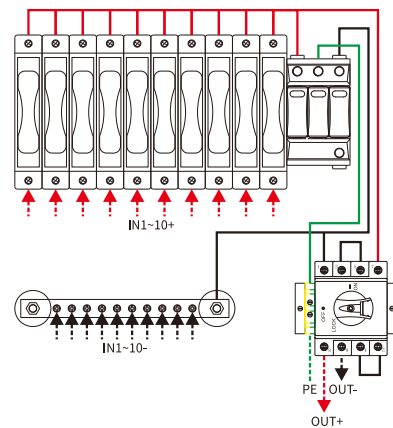
Model	EKDBT-PV8/1-IFS-1500	Quantity
Enclosure of Box	600×460×180mm	1
DC SPD	EKU5-T2-40PV-3M1500 (40kA, 3P, 1500VDC)	1
DC Isolator	EKD6-DB32-4S (4P, 32A)	1
DC Fuse with Link	EKF1-15PVH-10L-1P (Max 3A 1500VDC)	8
PG connector	PG9 (4-9mm ²)	16
	PG21 (13-18mm ²)	2
MC4 connector	PV-EK04 (6mm ²)	9
	PV-EK05 (6mm ²)	9
Ground connector	PG9 (4-9mm ²)	1



10 String Input 1 String Output DC 1500V (Economy Type)

DC Isolator Switch Box

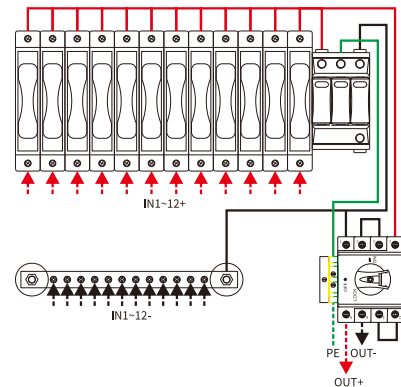
Model	EKDBT-PV10/1-IFS-1500	Quantity
Enclosure of Box	600×460×180mm	1
DC SPD	EKU5-T2-40PV-3M1500 (40kA, 3P, 1500VDC)	1
DC Isolator	EKD6-DB32-4S (4P, 32A)	1
DC Fuse with Link	EKF1-15PVH-10L-1P (Max 8A 1500VDC)	10
PG connector	PG9 (4-9mm ²)	20
	PG21 (13-18mm ²)	2
MC4 connector	PV-EK04 (6mm ²)	11
	PV-EK05 (6mm ²)	11
Ground connector	PG9 (4-9mm ²)	1



12 String Input 1 String Output DC 1500V (Economy Type)

DC Isolator Switch Box

Model	EKDBT-PV12/1-IFS-1500	Quantity
Enclosure of Box	600×460×180mm	1
DC SPD	EKU5-T2-40PV-3M1500 (40kA, 3P, 1500VDC)	1
DC Isolator	EKD6-DB32-4S (4P, 32A)	1
DC Fuse with Link	EKF1-15PVH-10L-1P (Max 2A 1500VDC)	12
PG connector	PG9 (4-9mm ²)	24
	PG21 (13-18mm ²)	2
MC4 connector	PV-EK04 (6mm ²)	13
	PV-EK05 (6mm ²)	13
Ground connector	PG9 (4-9mm ²)	1

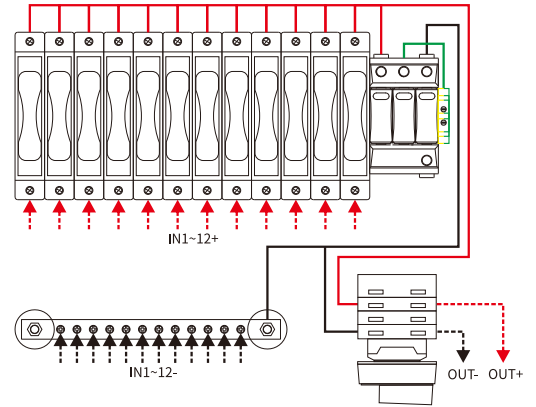


Solar DC Combiner Box

12 String Input 1 String Output DC 1500V (Economy Type)

DC Isolator Switch Box

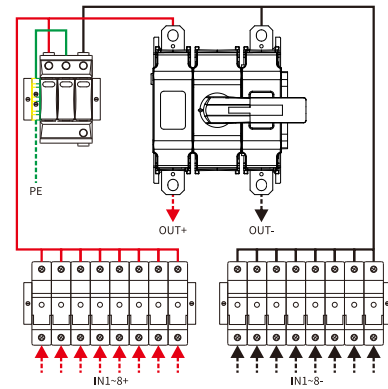
Model	EKDBT-PV12/1-IFSM-1500	Quantity
Enclosure of Box	400×350×160mm	1
DC SPD	EKU5-T2-40PV-3M1500 (40kA, 3P, 1500VDC)	1
DC Isolator	EDS64S/50/ZY	1
DC Fuse with Link	EKF1-15PVH-10L-1P (Max 2A 1500VDC)	12
MC4 connector	PV-EK04 (6mm ²)	13
	PV-EK05 (6mm ²)	13
Ground connector	PG9 (4-9mm ²)	1



8 String Input 1 String Output DC 1000V

DC Load Disconnecter Box

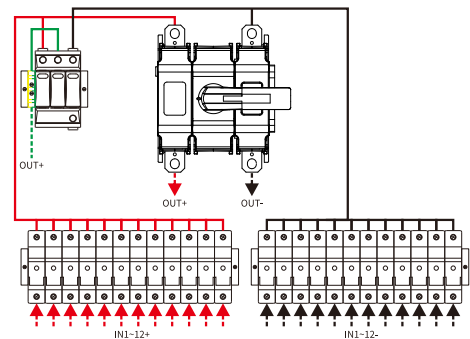
Model	EKDBT-PVZ8/1-IFS-1000	Quantity
Enclosure of Box	600×460×180mm	1
DC SPD	EKU5-T2-40PV-3M1000 (40kA, 3P, 1000VDC)	1
DC Disconnect Switch	EKHD-DB315R-11	1
DC Fuse with Link	EKF1-10XPVH-10-1P (Max 32A 1000VDC)	16
PG connector	PG9 (4-9mm ²)	16
	PG36 (22-32mm ²)	2
Ground connector	PG9 (4-9mm ²)	1



12 String Input 1 String Output DC 1000V

DC Load Disconnecter Box

Model	EKDBT-PVZ12/1-IFS-1000	Quantity
Enclosure of Box	600×460×180mm	1
DC SPD	EKU5-T2-40PV-3M1000 (40kA, 3P, 1000VDC)	1
DC Disconnect Switch	EKHD-DB315R-11	1
DC Fuse with Link	EKF1-10XPVH-10-1P (Max 20A 1000VDC)	24
PG connector	PG9 (4-9mm ²)	24
	PG36 (22-32mm ²)	2
Ground connector	PG9 (4-9mm ²)	1

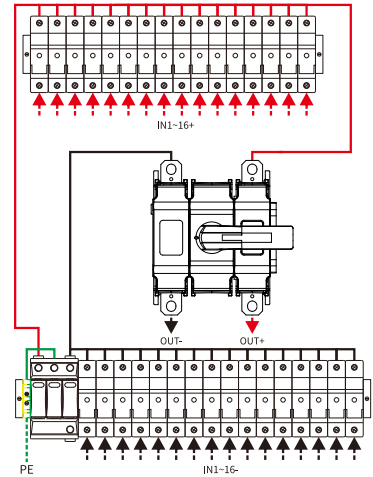


Solar DC Combiner Box

16 String Input 1 String Output DC 1000V

DC Load Disconnecter Box

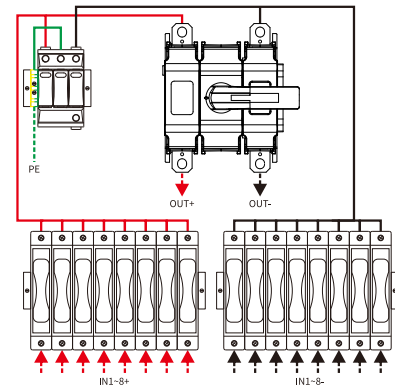
Model	EKDBT-PVZ16/1-IFS-1000	Quantity
Enclosure of Box	750×560×180mm	1
DC SPD	EKU5-T2-40PV-3M1000 (40kA, 3P, 1000VDC)	1
DC Disconnect Switch	EKHD-DB315R-11	1
DC Fuse with Link	EKF1-10XPVH-10-1P (Max 15A 1000VDC)	32
PG connector	PG9 (4-9mm ²)	32
	PG36 (22-32mm ²)	2
Ground connector	PG9 (4-9mm ²)	1



8 String Input 1 String Output DC 1500V

DC Load Disconnecter Box

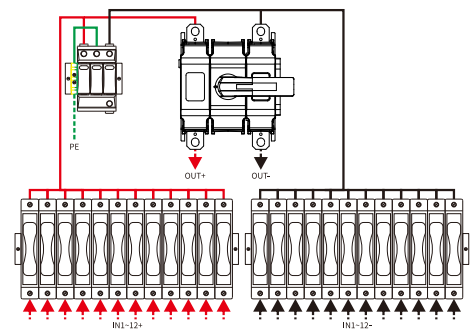
Model	EKDBT-PVZ8/1-IFS-1500	Quantity
Enclosure of Box	750×560×180mm	1
DC SPD	EKU5-T2-40PV-3M1500 (40kA, 3P, 1500VDC)	1
DC Disconnect Switch	EKHD-DB315R-11	1
DC Fuse with Link	EKF1-15PVH-10L-1P (Max 32A 1500VDC)	16
PG connector	PG9 (4-9mm ²)	16
	PG36 (22-32mm ²)	2
Ground connector	PG9 (4-9mm ²)	1



12 String Input 1 String Output DC 1500V

DC Load Disconnecter Box

Model	EKDBT-PVZ12/1-IFS-1500	Quantity
Enclosure of Box	750×560×180mm	1
DC SPD	EKU5-T2-40PV-3M1500 (40kA, 3P, 1500VDC)	1
DC Disconnect Switch	EKHD-DB315R-11	1
DC Fuse with Link	EKF1-15PVH-10L-1P (Max 20A 1500VDC)	24
PG connector	PG9 (4-9mm ²)	24
	PG36 (22-32mm ²)	2
Ground connector	PG9 (4-9mm ²)	1

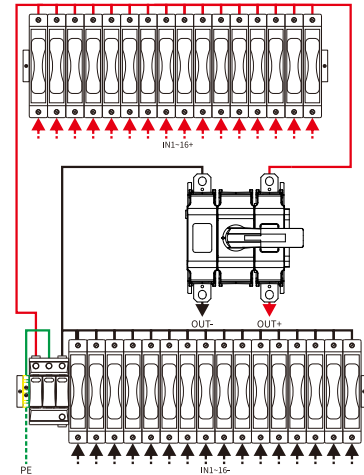


Solar DC Combiner Box

16 String Input 1 String Output DC 1500V

DC Load Disconnecter Box

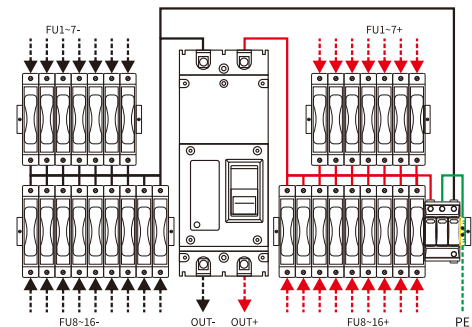
Model	EKDBT-PVZ16/1-IFS-1500	Quantity
Enclosure of Box	750×560×180mm	1
DC SPD	EKU5-T2-40PV-3M1500 (40kA, 3P, 1500VDC)	1
DC Disconnect Switch	EKHD-DB315R-11	1
DC Fuse with Link	EKF1-15PVH-10L-1P (Max 12A 1500VDC)	32
PG connector	PG9 (4-9mm ²)	32
	PG36 (22-32mm ²)	2
Ground connector	PG9 (4-9mm ²)	1



16 String Input 1 String Output DC 1500V

DC MCCB Breaker Box

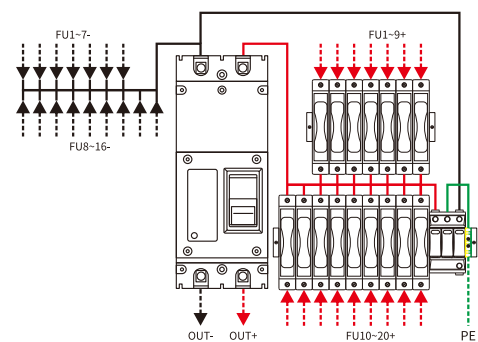
Model	EKDBT-PVZ16/1-FBS-1500	Quantity
Enclosure of Box	750×560×180mm	1
DC SPD	EKU5-T2-40PV-3M1500 (40kA, 3P, 1500VDC)	1
DC MCCB	EKM7DC-400M/2 (2P, 400A, 1500VDC)	1
DC Fuse with Link	EKF1-15PVH-10L-1P (Max 25A 1500VDC)	32
PG connector	PG9 (4-9mm ²)	32
	PG36 (22-32mm ²)	2
Ground connector	PG9 (4-9mm ²)	1



16 String Input 1 String Output DC 1500V (Economy Type)

DC MCCB Breaker Box

Model	EKDBT-PVZ16/1-FBS-1500	Quantity
Enclosure of Box	750×560×180mm	1
DC SPD	EKU5-T2-40PV-3M1500 (40kA, 3P, 1500VDC)	1
DC MCCB	EKM7DC-400M/2 (2P, 400A, 1500VDC)	1
DC Fuse with Link	EKF1-15PVH-10L-1P (Max 25A 1500VDC)	16
PG connector	PG9 (4-9mm ²)	32
	PG36 (22-32mm ²)	2
Ground connector	PG9 (4-9mm ²)	1

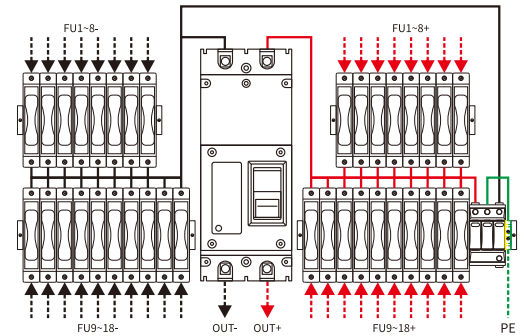


Solar DC Combiner Box

18 String Input 1 String Output DC 1500V

DC MCCB Breaker Box

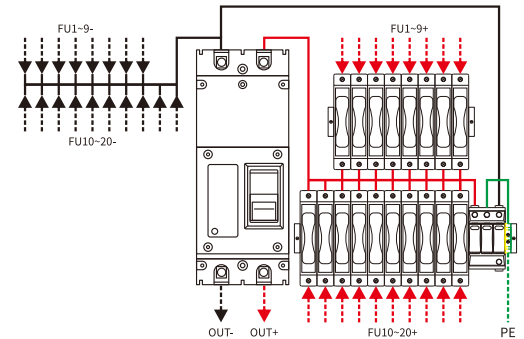
Model	EKDBT-PVZ18/1-FBS-1500	Quantity
Enclosure of Box	750×560×180mm	1
DC SPD	EKU5-T2-40PV-3M1500 (40kA, 3P, 1500VDC)	1
DC MCCB	EKM7DC-400M/2 (2P, 400A, 1500VDC)	1
DC Fuse with Link	EKF1-15PVH-10L-1P (Max 20A 1500VDC)	36
PG connector	PG9 (4-9mm ²)	36
	PG36 (22-32mm ²)	2
Ground connector	PG9 (4-9mm ²)	1



18 String Input 1 String Output DC 1500V (Economy Type)

DC MCCB Breaker Box

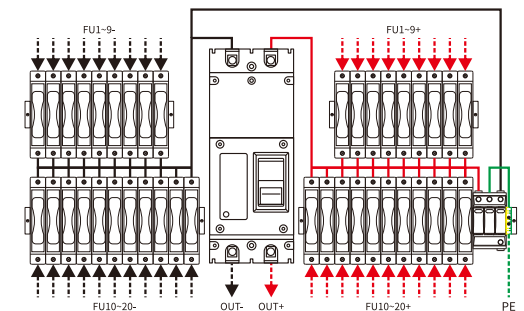
Model	EKDBT-PVZ18/1-FBS-1500	Quantity
Enclosure of Box	750×560×180mm	1
DC SPD	EKU5-T2-40PV-3M1500 (40kA, 3P, 1500VDC)	1
DC MCCB	EKM7DC-400M/2 (2P, 400A, 1500VDC)	1
DC Fuse with Link	EKF1-15PVH-10L-1P (Max 20A 1500VDC)	18
PG connector	PG9 (4-9mm ²)	36
	PG36 (22-32mm ²)	2
Ground connector	PG9 (4-9mm ²)	1



20 String Input 1 String Output DC 1500V

DC MCCB Breaker Box

Model	EKDBT-PVZ20/1-FBS-1500	Quantity
Enclosure of Box	800×560×180mm	1
DC SPD	EKU5-T2-40PV-3M1500 (40kA, 3P, 1500VDC)	1
DC MCCB	EKM7DC-400M/2 (2P, 400A, 1500VDC)	1
DC Fuse with Link	EKF1-15PVH-10L-1P (Max 20A 1500VDC)	40
PG connector	PG9 (4-9mm ²)	40
	PG36 (22-32mm ²)	2
Ground connector	PG9 (4-9mm ²)	1

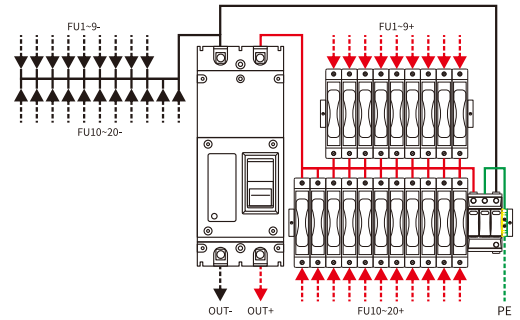


Solar DC Combiner Box

20 String Input 1 String Output DC 1500V (Economy Type)

DC MCCB Breaker Box

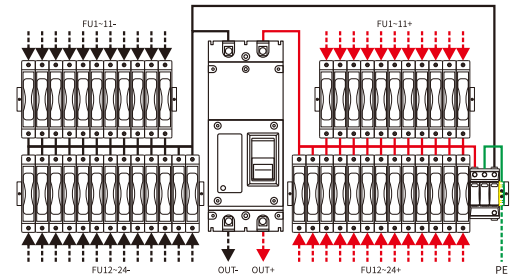
Model	EKDBT-PVZ20/1-FBS-1500	Quantity
Enclosure of Box	800×560×180mm	1
DC SPD	EKU5-T2-40PV-3M1500 (40kA, 3P, 1500VDC)	1
DC MCCB	EKM7DC-400M/2 (2P, 400A, 1500VDC)	1
DC Fuse with Link	EKF1-15PVH-10L-1P (Max 25A 1500VDC)	20
PG connector	PG9 (4-9mm ²)	40
	PG36 (22-32mm ²)	2
Ground connector	PG9 (4-9mm ²)	1



24 String Input 1 String Output DC 1500V

DC MCCB Breaker Box

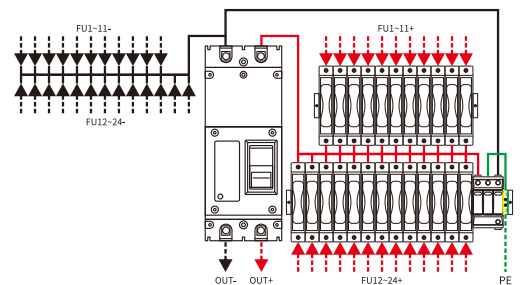
Model	EKDBT-PVZ20/1-FBS-1500	Quantity
Enclosure of Box	860×560×180mm	1
DC SPD	EKU5-T2-40PV-3M1500 (40kA, 3P, 1500VDC)	1
DC MCCB	EKM7DC-400M/2 (2P, 400A, 1500VDC)	1
DC Fuse with Link	EKF1-15PVH-10L-1P (Max 20A 1500VDC)	48
PG connector	PG9 (4-9mm ²)	48
	PG36 (22-32mm ²)	2
Ground connector	PG9 (4-9mm ²)	1




24 String Input 1 String Output DC 1500V (Economy Type)

DC MCCB Breaker Box

Model	EKDBT-PVZ20/1-FBS-1500	Quantity
Enclosure of Box	860×560×180mm	1
DC SPD	EKU5-T2-40PV-3M1500 (40kA, 3P, 1500VDC)	1
DC MCCB	EKM7DC-400M/2 (2P, 400A, 1500VDC)	1
DC Fuse with Link	EKF1-15PVH-10L-1P (Max 20A 1500VDC)	24
PG connector	PG9 (4-9mm ²)	48
	PG36 (22-32mm ²)	2
Ground connector	PG9 (4-9mm ²)	1



 The product data referred to in the company shall be subject to material object. Subject to change without notice.
The company has the final right to interpret.

 Green paper printing.

ETЭК®
ETEK ELECTRIC

ZHEJIANG ETEK ELECTRICAL TECHNOLOGY CO..LTD.

No.288 Wei 17th Road, Economic Development Zone, Yueqing City, Zhejiang China.

Tel: 0086-577-62718777 0086-577-62780116

Email: info@etek-china.com

Web: www.etek-china.com



ETEK ELECTRICAL WUHU CO..LTD.

No.770 Wutun Fast Road, Anhui Xinwu Economic Development Zone, Wanzhi District,
Wuhu City, Anhui Province, P.R.China

Tel: 0086-553-8511789

Email: sales@etek-electric.com

Web: www.etek-electric.com

